

24118 CONNECTOR

Wire-to-wire Connectors

Specification

Current Rating:3a Ac,dc Max

Temperature Range:-25°C ~ +85°C

(Including Temperature Rise)

Contact Resistance: Initial Value/10mΩ Max.

After Environmental Testing/20mΩ Max.

Insulation Resistance:500MΩ min

Withstand voltage:1,000V AC/minute

Applicable Wires:AWG #28~#22

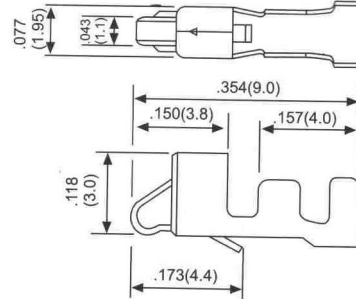
Applicable P.C.B thickness:0.02 " ~0.079 " (0.5~2.0mm)

Used In Sp 24118 Series Housing

Applicable Wires:AWG #28~#22

Material:tin-plated Brass

Insulation>d:0.047 " (1.2mm)~0.071 " (1.8mm)



PART NO.	WIRE RANGE		MATERIAL/ FINISH	THICKNESS	INSULATION O.D.mm
	AWG	mm ²			
24118T-0	28-22	0.08-0.30	BRASS	0.20	1.2-1.8
24118T-2	28-22	0.08-0.30	BRASS/TIN	0.20	1.2-1.8

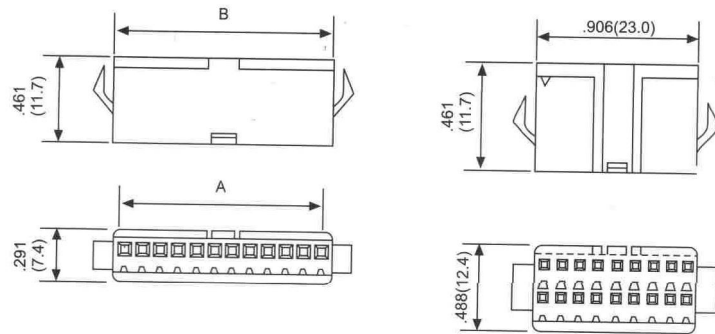
Material:nylon66 UI 94v-2

2-12 & 18 Circuits Available

Standard Color:black

Accepts S24118bs-2

Mates With Sp24118 Series Housing



CIRCUITS	PART NO.	DIMENTION(MM)		CIRCUITS	PART NO.	DIMENTION(MM)	
		DIM.A	DIM.B			DIM.A	DIM.B
2	24118-02	2.5	5.5	8	24118-08	17.5	20.5
3	24118-03	5.0	8.0	9	24118-09	20.0	23.0
4	24118-04	7.5	10.5	10	24118-10	22.5	25.5
5	24118-05	10.0	13.0	11	24118-11	25.0	28.0
6	24118-06	12.5	15.5	12	24118-12	27.5	30.5
7	24118-07	15.0	18.0				

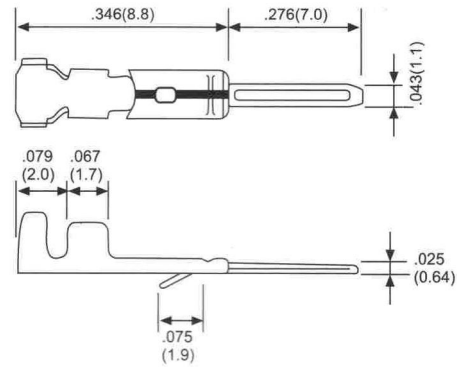
24119 CONNECTOR

Wire-to-wire Connectors

Current Rating: 3a Ac,dc max
 Temperature Range: -25°C ~ +85°C
 (Including Temperature Rise)
 Contact Resistance: Initial Value/10mΩ max.
 After Environmental Testing/20mΩ max.

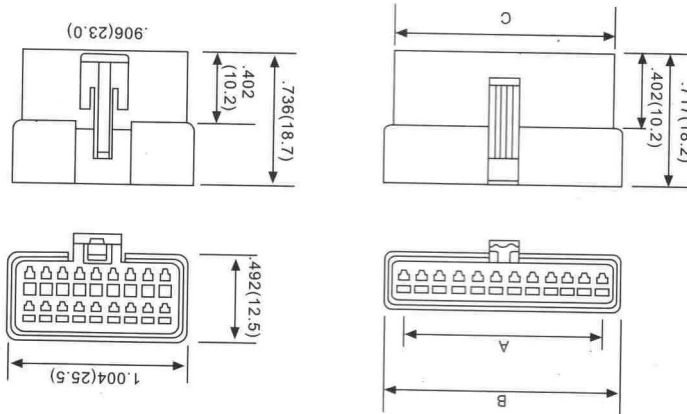
Insulation Resistance: 500M min
 Withstand voltage: 1,000V AC/minute
 Applicable Wires: AWG #28~#22
 Applicable P.C.B thickness: 0.02" ~ 0.079" (0.5~2.0mm)

Used In Sp 24119 Series housing
 Applicable Wires: AWG #28~#22
 Material: tin-plated Brass
 Insulation O.D: 0.047" (1.2mm) ~ 0.071" (1.8mm)



PART NO.	WIRE RANGE		MATERIAL/ FINISH	THICKNESS	INSULATION O.D.mm
	AWG#	mm ²			
24119T-0	28-22	0.08-0.30	BRASS	0.20	1.2-1.8
24119T-2	28-22	0.08-0.30	BRASS/TIN	0.20	1.2-1.8

Material: Nylon66 UL 94v-2
 2-12 & 18 Circuits Available
 Standard Color: black
 Accepts S24119bs-2
 Mates With Sp24119 Series Housing



CIRCUITS	PART NO.	DIMENSION(MM)			CIRCUITS	PART NO.	DIMENSION(MM)		
		DIM.A	DIM.B	DIM.C			DIM.A	DIM.B	DIM.C
2	24119-02	2.5	8.0	5.5	8	24119-08	17.5	23.0	20.5
3	24119-03	5.0	10.5	8.0	9	24119-09	20.0	25.5	23.0
4	24119-04	7.5	13.0	10.5	10	24119-10	22.5	28.0	25.5
5	24119-05	10.0	15.5	13.0	11	24119-11	25.0	30.5	28.0
6	24119-06	12.5	18.0	15.5	12	24119-12	27.5	33.0	30.5
7	24119-07	15.0	20.5	18.0					