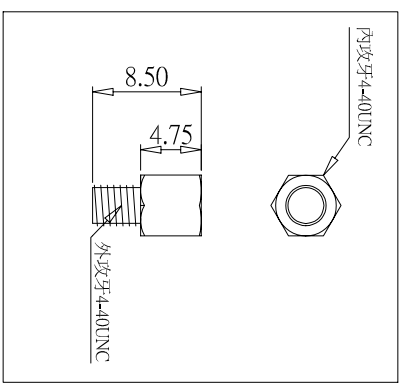
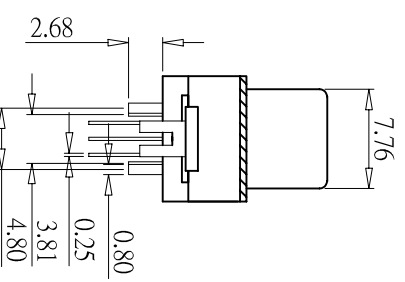
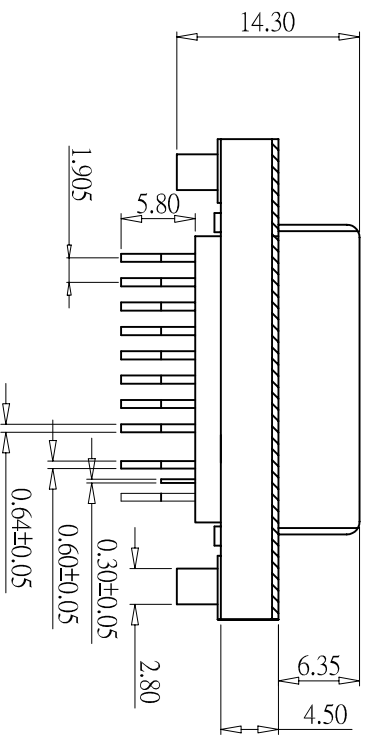
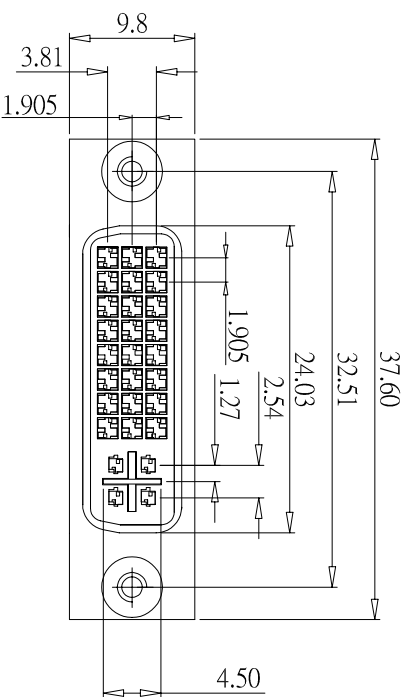


SALES FORMAT



# ROHS

REV	DESCRIPTION	MODIFICATION	DATE
A0	新制定		05.06.19
A1	變更	物料編碼變更	06.05.09

**\*MATERIAL**  
 BODY : PA66+30% UL 94V-0 RATED, COLOR: WHITE  
 LATCH : PA66+30% UL 94V-0 RATED, COLOR: WHITE  
 CONTACTS : BRASS  
 CONTACT PLATING : GOLD PLATING OVER NICKEL ON CONTACT  
 AREA TIN PLATING ON TERMINAL

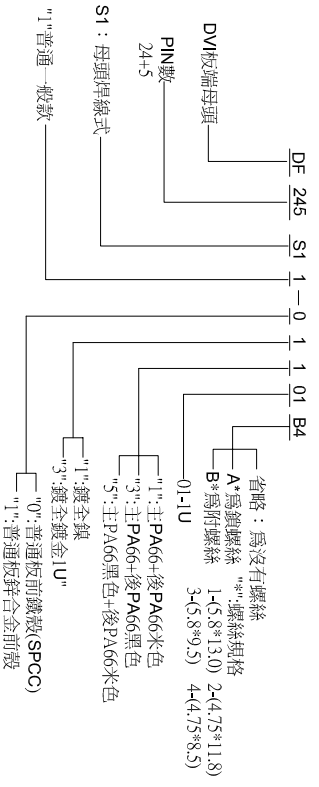
**\*MECHANICAL**  
 MATING FORCE : 4.5 KG MAX. @ 25 MM/MINUTE  
 UNMATING FORCE: 1.0 KG MIN. AND 4.0 KG MAX. @ 25 MM/MINUTE  
 DURABILITY: 100 MATING CYCLES

**\*ELECTRICAL SPECIFICATION**  
 INSULATION RESISTANCE : 1000 MEGOHMS MIN  
 DIELECTRIC WITHSTANDING VOLTAGE : 500 V DC RMS ± 50 V.60 HZ  
 CURRENT RATING: 1.5 AMPERES MIN  
 SHELL RESISTANCE: 50 MILLOHMS MAX. INITIAL; 50 MILLOHMS  
 MAX.CHANGE FROM INITIAL  
 CONTACT RESISTANCE : 20 MILLOHMS MAX.

**\*ENVIRONMENTAL**  
 OPERATING TEMPERATURE : -20° TO 85°

**HOW TO ORDER**

**PART NUMBER :**



未標示公差尺寸值		DRAWN BY		FAN SHA	
METRIC		DESIGNED BY			
.0=±0.35		APPROVAL BY			
.00=±0.25		DRAW NO		COSI-013	
.000=±0.15		UNIT		mm	
TITLE: DVI(24+5)母頭線式附4.75*8.50		SCALE		1:1	
PRODUCT NO: DF245S11-01101B4		REV		A0	
FILE NO: ZK-3-D-001		REV		A0	
SCALE		REV		A0	