

RoHS

REV	DESCRIPTION	MODIFICATION	DATE
A/0	新制定		05.06.21
A/1	變更一	物料編碼變更	06.05.05

***MATERIAL**

BODY : PBT30% UL 94V-0 RATED. COLOR: WHITE
 LATCH : PA66-30% UL 94V-0 RATED. COLOR: WHITE
 CONTACTS : BRASS C2680 T=0.25
 CONTACT PLATING : GOLD PLATING OVER NICKEL ON CONTACT
 AREA TIN PLATING ON TERMINAL
 SHELL: SPC T=0.50
 SHELL PLATING: PLATING NICKEL 80U" MIN OVER 40U" MIN
 COPPER RENDER ON SHELL

***MECHANICAL**

MATING FORCE : 4.5 KG MAX. @ 25 MM/MINUTE
 UNMATING FORCE : 1.0 KG MIN. AND 4.0 KG MAX. @ 25 MM/MINUTE
 DURABILITY : 100 MATING CYCLES

***ELECTRICAL SPECIFICATION**

INSULATION RESISTANCE : 1000 MEGOHMS MIN
 DIELECTRIC WITHSTANDING VOLTAGE : 500 V DC RMS ± 50 V.60 HZ
 CURRENT RATING : 1.5 AMPERES MIN
 SHELL RESISTANCE : 50 MIILOHMS MAX. INITIAL : 50 MIILOHMS
 MAX CHANGE FROM INITIAL
 CONTACT RESISTANCE : 20 MIILOHMS MAX.

***ENVIRONMENTAL**

OPERATING TEMPERATURE : -20° TO 85°

***HOW TO ORDER**

PART NUMBER :

DF 245 R 1-0 1 2 01 B2

DVI板端母頭

PIN數 24+5

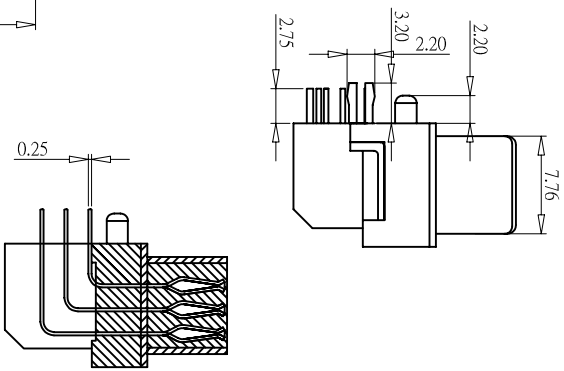
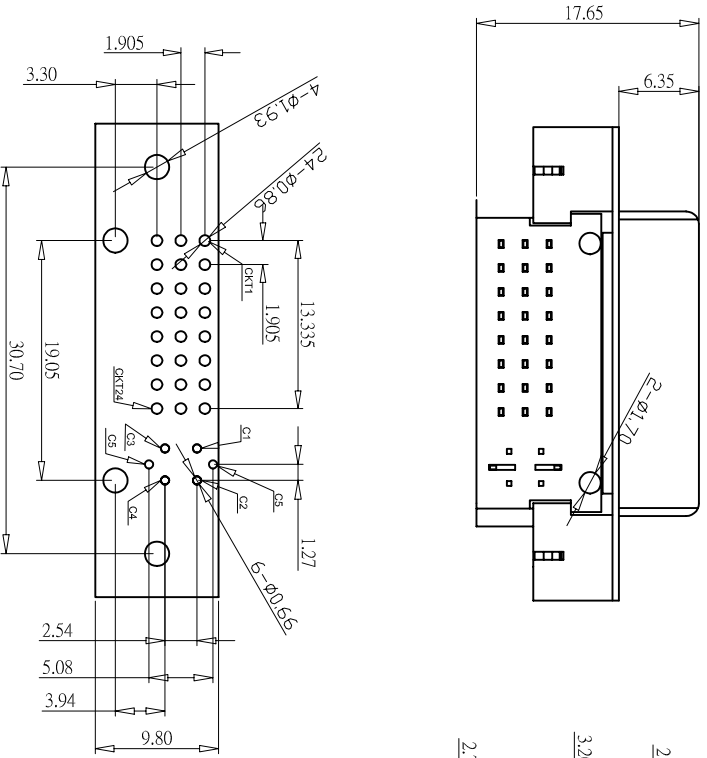
R : 90度

"1"普通一般鐵殼

"0": 普通板前鐵殼(SFCC)
 "1": 普通板鉸合金前殼
 "2": 鍍全鍍
 "3": 鍍全鍍金;U"

省略: 沒有螺絲
 A*: 為鍍螺絲 "※": 螺絲規格
 B*: 為附螺絲 1-(5.8*13.0) 2-(4.75*11.8)
 3-(5.8*9.5) 4-(4.75*8.5)
 01-1U

"2": 主PBT+後PA66米色
 "4": 主PBT+後PA66黑色



P.C.B LAYOUT

未標示公差尺寸值		DRAWN BY		FAN SHA	
METRIC		CHECKED			
.0=±0.35		APPROVED			
.00=±0.25		DRAW NO		COST-006	
.000=±0.15		UNIT		mm	
TITLE: DVI(24+5)F90度附4.75*11.80		SCALE		1:1	
PRODUCT NO: DF245R1-01201B2		REV		A/0	
FILE NO: ZK-3-D-001		REV		A/0	