

# D-SUB PCB板直脚压装型连接器 1402系列

## Straight Press-fit D-SUB Connectors 1402 Series



### 电气特性 Electrical

额定电流 (Current rating) : 5A  
 接触电阻 (Contact resistance) : 15m  
 绝缘电阻 (Insulation resistance) : 5000M  
 耐电压 (Withstanding voltage) : 1000 V r.m.s

### 机械特性 Mechanical

插入力 (Insertion force) : 5.0N/pin  
 拔出力 (Extraction force) : 0.3N/pin  
 适用环境 (Operating temperature) : -55 to +125

1402 - XXX - XX - X

塑胶材料及颜色  
 (Insulator material and color)  
 1: 黑色 (Black) PBT+30%GF UL94V-0  
 2: 绿色 (Green) PBT+30%GF UL94V-0  
 9: 蓝色 (Blue) PBT+30%GF UL94V-0

触点镀层 (Contacts plating)

代码 (Code)	定义 (Definition)
2	CLASS I
3	CLASS II
4	CLASS III
5	CLASS IV

安装类型 (Mounting options)  
 安装类型详见附录 (See appendix)

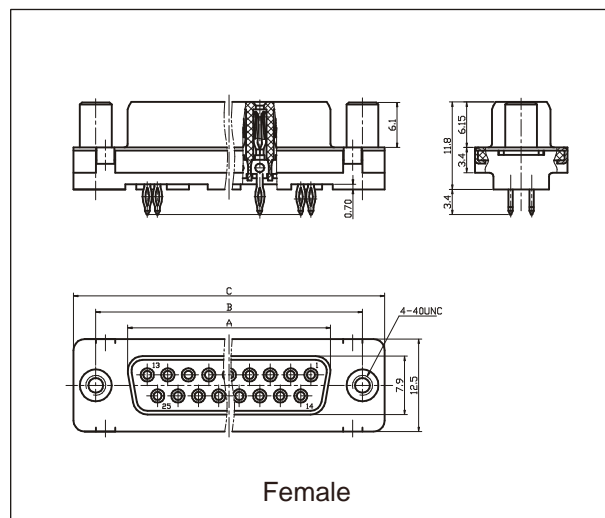
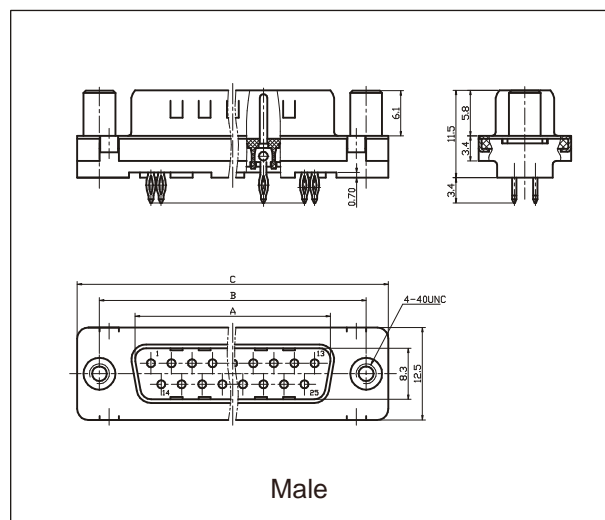
连接器类型 (Connector type)

代码 (Code)	定义 (Definition)
1	插头 (Male)
2	插座 (Female)

触点数量 (Number of contacts)  
 09, 15, 25, 37

PCB板直脚压装型  
 (Straight Press-fit)

0 : 冲床PIN (Punch Pin)



插头各规格尺寸表 Male dimensions

No. of contact	A	B	C
09M	16.92	25.00	30.80
15M	25.25	33.30	39.20
25M	38.96	47.04	53.04
37M	55.42	63.50	69.40

插座各规格尺寸表 Female dimensions

No. of contact	A	B	C
09F	16.35	25.00	30.80
15F	24.66	33.30	39.20
25F	38.40	47.04	53.04
37F	54.80	63.50	69.40