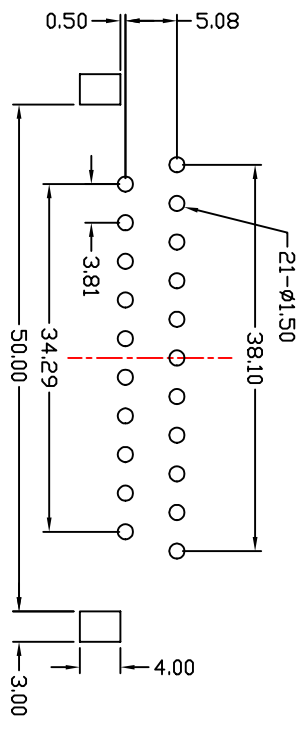
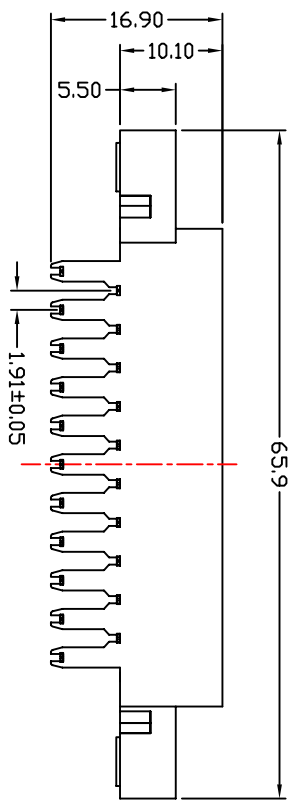
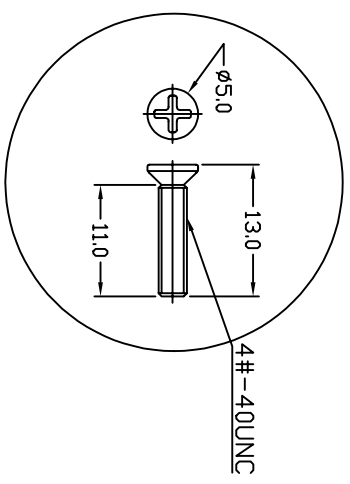
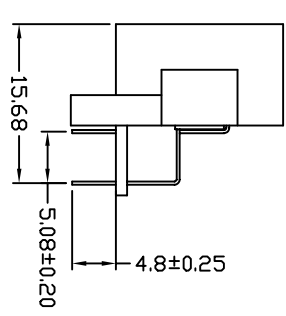
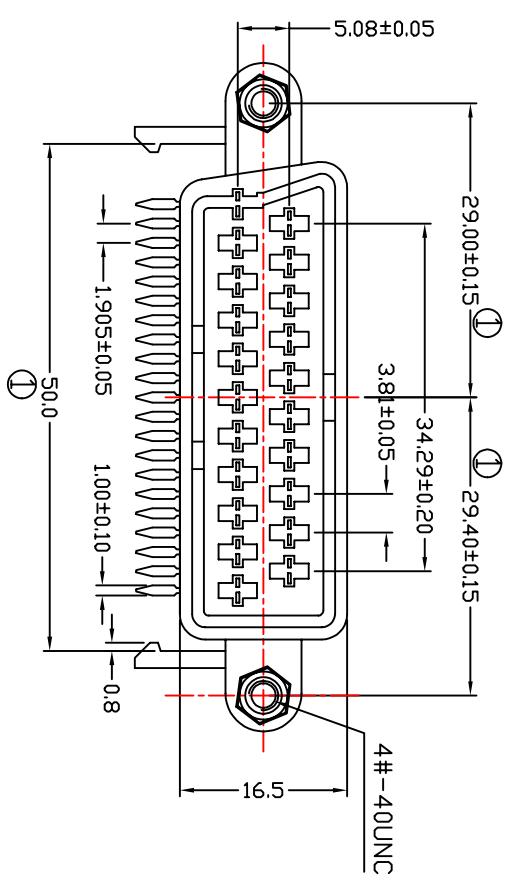


REV.	NOTES	DATE
A	RELEASED	2004/05/13
B	① 28.96±0.20改29.00±0.15 49.6±0.10改50.0 29.40±0.20改29.40±0.15 Ø1.10改Ø1.50	2004/06/07
C	修改圖面	2005/01/05



P.C.B. LAYOUT
TOLERANCE ±0.05

- NOTES:
- 1.MATERIALS
- 1.1 Insulator: PC(No Virus) Black
 - 1.2 Contact: Brass,Tin Plated
 - 1.3 Hex-NUT: Brass,Nickel Plated
- 2.SPECIFICATIONS
- 2.1 Current Rating: 5Amp
 - 2.2 Dielectric Strength: 1000V AC for one minute
 - 2.3 Insulator Resistance: 5000M Ohms Min.(at 500V DC)
 - 2.4 Operation Temperature: -55°C ~ +105°C

DIMENSIONS TOLERANCE		METRIC	
.0 = ±.3		設計 (DE' N)	繪圖 (DRAW)
.00 = ±.20		審核 (CH' K)	
.0000 = ±.0000		核准 (APP' D)	
ANG = ± 2°			

單位 (UNITS)	mm
數量 (QTY)	N/A
材料 (M'T'L)	SEE NOTE
處理 (FINISH)	SEE NOTE

圖名 (NAME)	
料號 (PART NUMBER)	ASC+0330-40C5
圖號 (DRAW NUMBER)	RASC033040C5
圖檔 (FILE NAME .DWG)	E:GCT/A/SC/03

比例 (SCALE)	圖紙 (SHEET)	頁次 (SHEET)	版次 (REV.)
1/1	A4	1	1