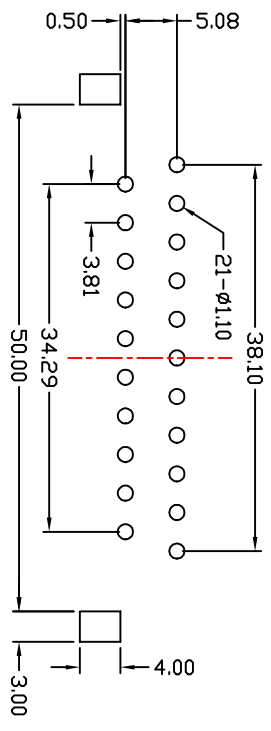
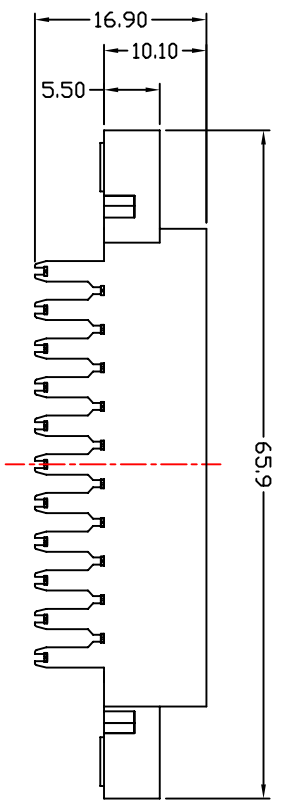
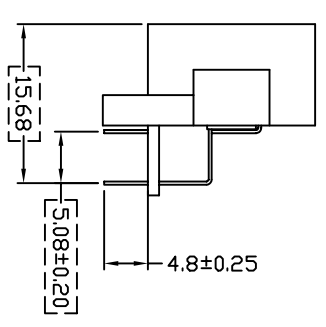
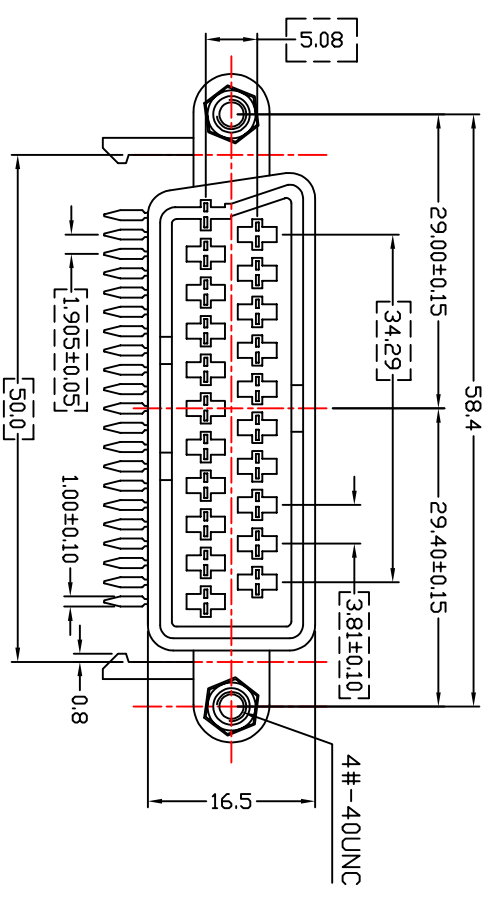


REV.	NOTES	DATE
A	RELEASED	2007/03/08



P.C.B. LAYOUT
TOLERANCE ±0.05

- NOTES:
- 1.MATERIALS
- 1.1 Insulator: PC(No Virus) Black
 - 1.2 Contact: Brass,Tin Plated
 - 1.3 Hex-NUT: Brass,Nickel Plated
- 2.SPECIFICATIONS
- 2.1 Current Rating: 5Amp
 - 2.2 Dielectric Strength: 1000V AC for one minute
 - 2.3 Insulator Resistance: 5000M Ohms Min.(at 500V DC)
 - 2.4 Operation Temperature: -55°C ~ +105°C

備注:
重點尺寸標示

DIMENSIONS TOLERANCE		METRIC	
0 = ±.3		設計 (DE' N)	
.000 = ±.20		審核 (CH' K)	
.0000 = ±.0000		核准 (APP' D)	
ANG = ± 2°			
單位 (UNITS)	mm	圖名 (NAME)	90度母座圓耳內六角沉頭孔鉚螺鉚釘
數量 (QTY)	N/A	料號 (PART NUMBER)	ASC+0330-40C4
材料 (M'T'L)	SEE NOTE	圖號 (DRAW NUMBER)	RASC033040C4
處理 (FINISH)	SEE NOTE	圖檔 (FILE NAME .DWG)	E:GCT/A/SC/03
繪圖 (DRAW)		比例 (SCALE)	1/1
		圖紙 (S/DWG)	A4
		頁次 (SHEET)	1
		版次 (REV.)	A