

NOTES:

***Material**

Body: LCP, UL 94V-0 Rated; Color: Black.
 Shield: Brass.
 Plating: Nickel Plating .
 Contact: Brass.
 Plating: Gold Plating Over Nickel on Contact Area;
 Tin Plating On Solder Tail.

***Electrical Specification**

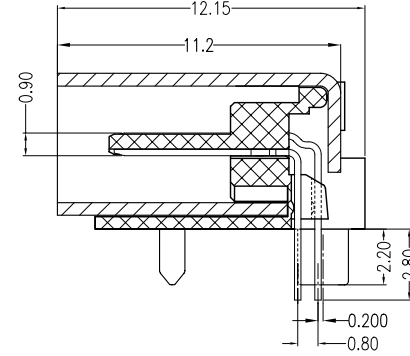
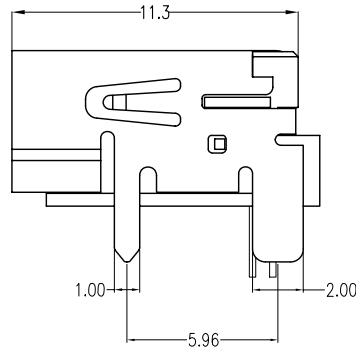
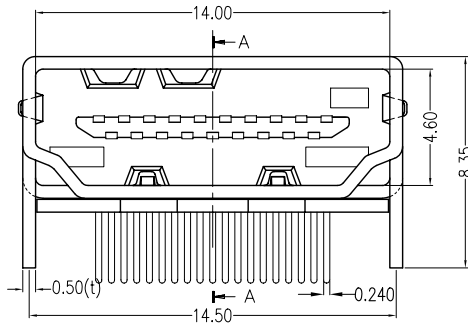
Operation Voltage: 40 VAC max.
 Current Rating: 0.5 Ampere per contact
 Contact Resistance: 30 Milliohms max.
 Insulation Resistance: 2000 Megohms min.
 Dielectric Withstanding Voltage: 500 VAC

***Environmental**

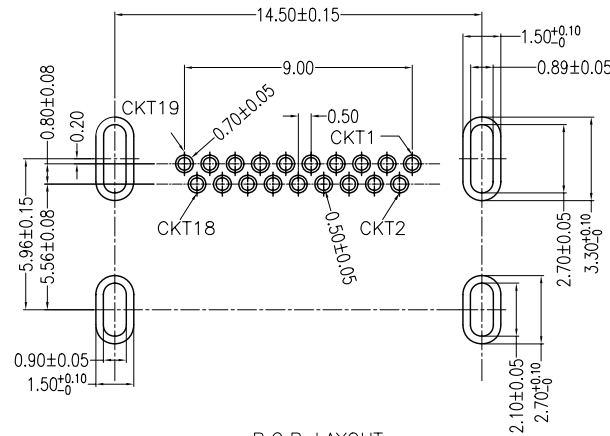
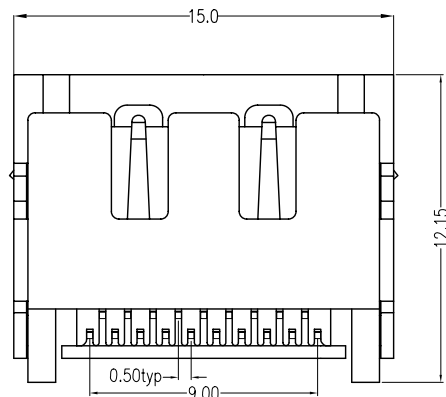
Operating Temperature: -20°C to +85°C

***How To Order**

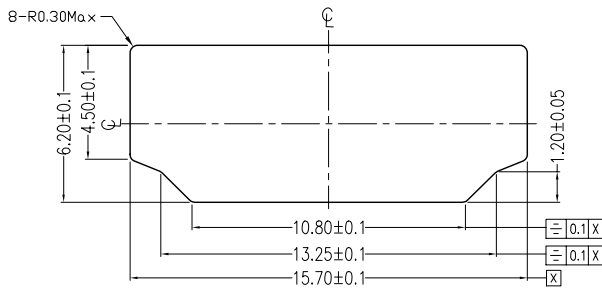
Series NO. WHDM 19 D 1 L 1 B N 5 U 4 W
 Number of Contacts 19 D 1 L 1 B N 5 U 4 W
 Gold A:Flash B:5u" C:10u" D:15u" F:30u"
 L: LCP 1:Black
 L:W:Winning Mark
 Blank:No Mark
 C:CRE
 4:Ni 5:Pure Dim Tin
 U:Lead Free
 3:Tray 5:Reel
 N:No Flange
 B:Brass
 P:Phosphor Bronze



SECT:A-A



P.C.B. LAYOUT



Reference Panel Cut Out Dimension

REV	Units	mm	Scale	1:1	Drawing By	Data
	Tolerance Unless Otherwise Specified				Reviewed By	Data
	.X	~	±0.38		Approval By	Data
	.XX	~	±0.25			
	.XXX	~	±0.20			
	Angle	~	± 3°			
					Date	
					Sheet	1 of 1
					Third Angle Projection	Title
						High Definition Media Interface 19PIN(Shield)DIP Type(No Flange)
					Drawing No.	
					REV	A