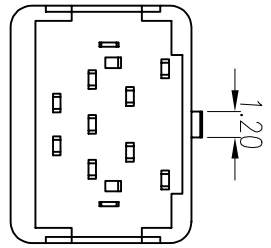
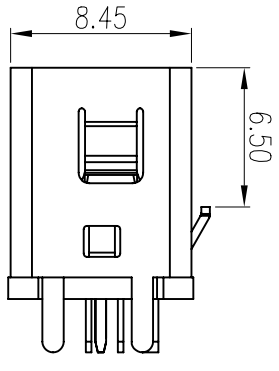
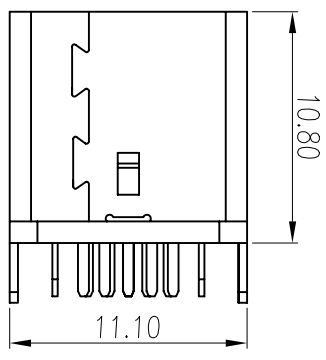


REV.	ECN NO.	LOCATIONS	DESCRIPTION	DATE	REVISER	APPD

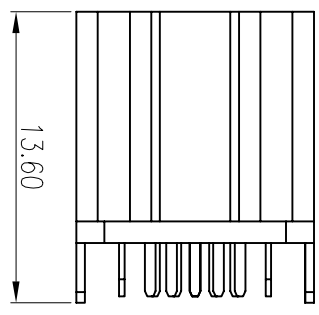
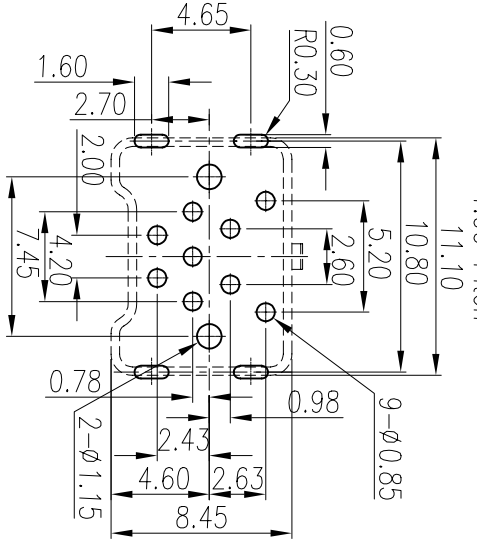


- Note:
- Material:
 - Insulator: PA6T G.F. UL 94-V0 rated.
 - Contact: Brass,t=0.20mm.
 - Shell: Phosphor bronze,t=0.30mm.

- Specification:
 - Current rating: 1.5 A Max.
 - Dielectric withstanding voltage: 100 V(ac) for 1 minute.
 - Contact resistance: 50 mΩ Max.
 - Insulation resistance: 100 MΩ Min at DC 100V.
 - Total mating force: 4.5 Kgf Max.
 - Total unmating force: 1.5 Kgf Min.
 - Temperature range: Operating:-40°C~+85°C
Storage:-40°C~+105°C

- Finishes:
 - Contacts:Gold flashed 1u",3u",5u",10u",15u",30u".
 - Shell: Tin Plated.

No.	Name	Q'ty	Material	Remarks & Thickness	Finish
3	Back shell	1	Brass	T=0.30mm	Tin Plated
3	Front shell	1	Brass	T=0.30mm	Tin Plated
2	Contact	6	Phosphor bronze	T=0.25mm	Gold Flashed
1	Housing	1	P.B.T	UL 94-V0	Black/Gray



P.C.B LAYOUT

PART NO:	MODEL NO:	UNIT: mm	SIZE: A4	COLOR:	PART NAME:
					IEEE 1394-9PIN(F) 180° DIP
TOLERANCE UNSPECIFIED			DR: 李霞	DATE: 06/05/11	DWG NO:
x	±0.2	CHK: Kevin	06/05/11	APP: Kent	06/05/11
xx	±0.10	SCALE: 1:1	SHEET: 1 of 1	REV: AO	
xxx	±0.05				
ANG.	±1°				