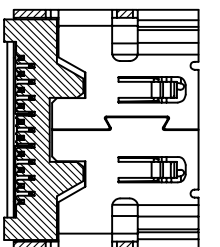
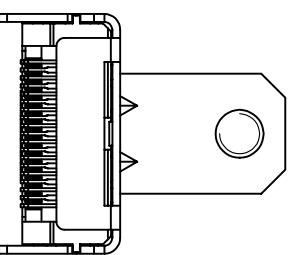
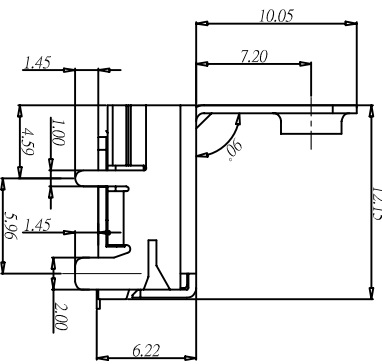
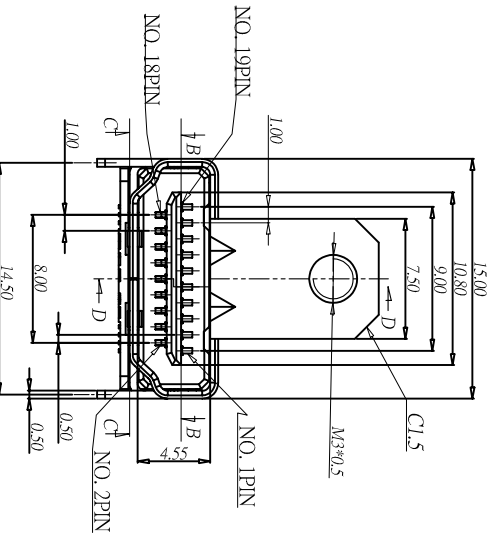


SEC B-B  
SCALE 1:1

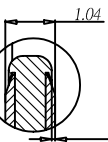
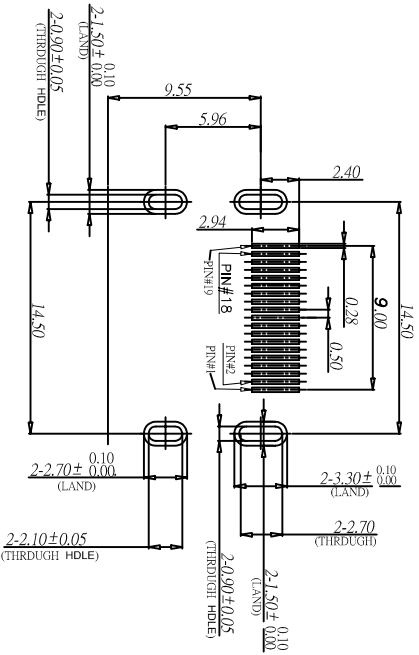
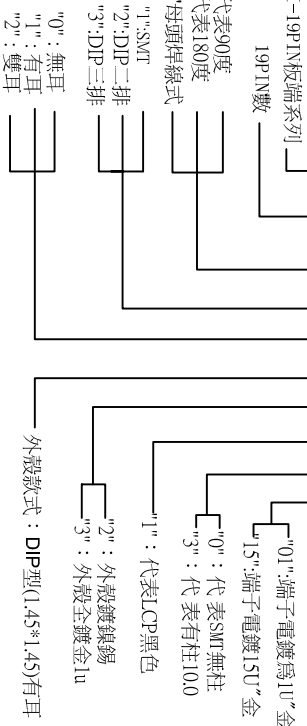
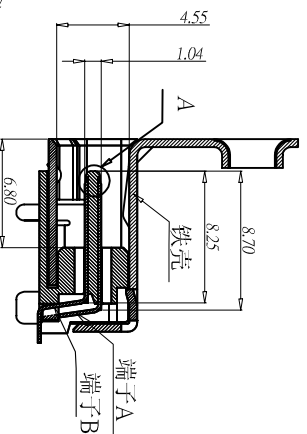


SEC C-C  
SCALE 1:1



- NOTE:**
- MATERIALS AND FINISH**
    - HOUSING&KEY:** TEMP.PLASTIC,UL 94V-0 RATED.
    - CONTACTS:** COPPER ALLOY.  
GOLD ON CONTACT AREA,  
120u" MIN TIN PLATING ON SOLDER TAILS,  
BOTH OVER 50u" MIN NICKEL ALL OVER.
    - SHIELD:** COPPER ALLOY.  
PLATING NICKEL 80u" MIN ALL OVER .
    - RECOMMENDED SCREWING TORQUE:**  
Ø 0.343N-(M3.5kgf-CM)  
TORQUE LIMIT Ø.392N-m(4.0kgf-cm)
  - DIMENSIONS SHALL BE INTERPRETED PER MIL-STD-105EII**
  - PRODUCT CODE:**

HE 19 R 1 1 - 12 2 1 0 15



DETAIL A  
SCALE 3:1

RECOMMENDED P.C.B. PATTERN LAYORT(T=1.6±0.1

**RoHS**

REV	DESCRIPTION	MODIFICATION	DATE
A/0	新制定		06.05.08

未標示公差尺寸值		TITLE:		HDMI板端有耳(1.45*1.45)	
METRIC		PRODUCT NO:		HF19R11-1221015	
.0=±0.35		FILE NO:		ZK-3-D-001	
.00=±0.25		SCALE		1:1 REV A/0	
.000=±0.15					

DRAWN BY	聶玉忠
DESIGNED BY	
APPROVAL BY	
DRAW NO	COSI-124
UNIT	mm