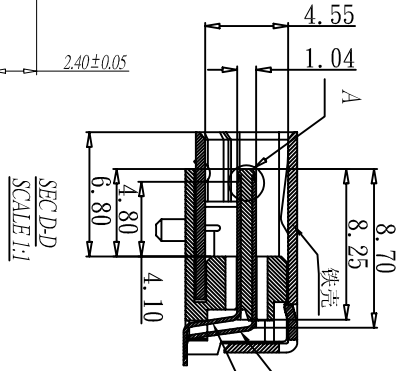
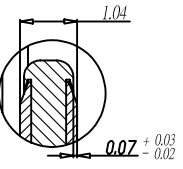
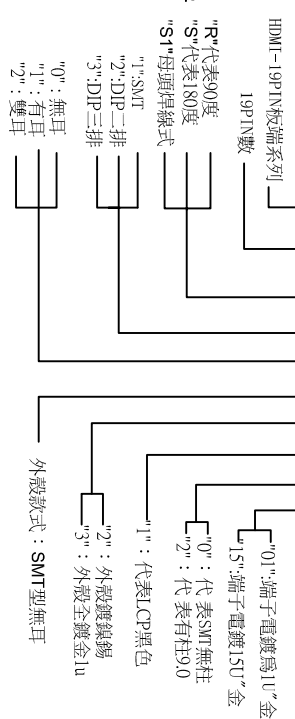


DETAIL A  
SCALE: 3:1



SEC D-D  
SCALE: 1:1



RECOMMENDED P.C.B. PATTERN LAYORIT(T=1.6±0.15)

RoHS

REV	DESCRIPTION	MODIFICATION	DATE
A/0	新制定		06.05.08

- NOTE:
- MATERIALS AND FINISH
  - HOUSING&KEY:  
TEMP.PLASTIC,UL 94V-0 RATED.
  - CONTACTS:  
COPPER ALLOY.  
GOLD ON CONTACT AREA,  
120u" MIN TIN ON SOLDER TAILS,  
BOTH OVER 50u" MIN NICKEL ALL OVER.
  - SHIELD:  
COPPER ALLOY.  
PLATING NICKEL80u" MIN ALL OVER .
  - DIMENSIONS SHALL BE INTERPRETED PER MIL-STD-105E II
  - PRODUCT CODE:

未標示公差尺寸值		DRAWN BY		DESIGNED BY		APPROVAL BY	
METRIC		HDMT板端SMT型無耳(膠柱:0.0)		ZK -3-D-001		COSJ-139	
.0=±0.35		PRODUCT NO:		SCALE		UNIT	
.00=±0.25		HF19R10-0321215		1:1		mm	
.000=±0.15		FILE NO:		REV		A/0	
		ZK -3-D-001		A/0			
		SCALE		REV		A/0	
		1:1		REV		A/0	

