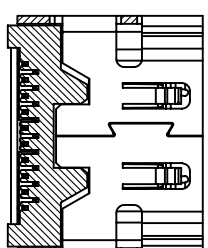
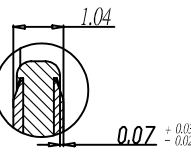
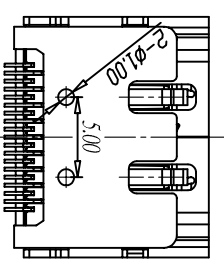
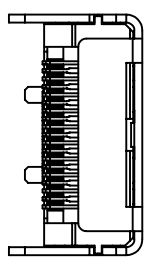
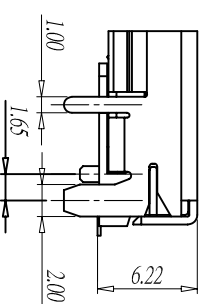


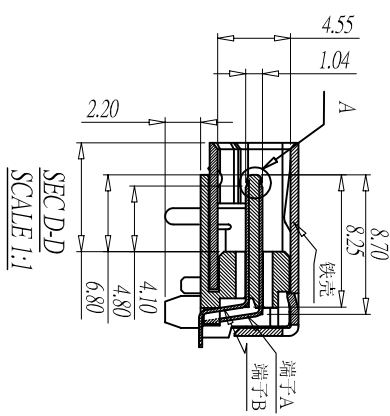
SEC B-B
SCALE 1:1



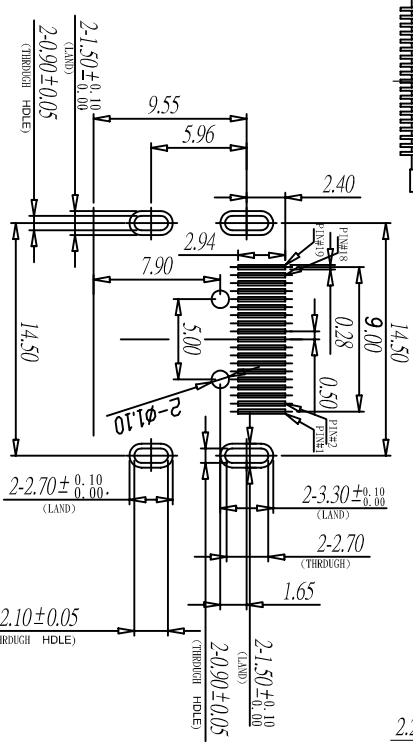
SEC C-C
SCALE 1:1



DETAIL A
SCALE 3:1



SEC D-D
SCALE 1:1



RECOMMENDED P.C.B. PATTERN LAYORT(T)=1.6±0.1

RoHS

REV	DESCRIPTION	MODIFICATION	DATE
A/0	新制定		06.05.08

NOTE:

1. MATERIALS AND FINISH

1.1 HOUSING&KEY:

TEMP.PLASTIC, UL 94V-0 RATED.

1.2 CONTACTS:

COPPER ALLOY.

GOLD ON CONTACT AREA,

120u" MIN TIN PLATING ON SOLDER TAILS.

BOTH OVER 50u" MIN NICKEL ALL OVER.

1.3 SHIELD:

COPPER ALLOY.

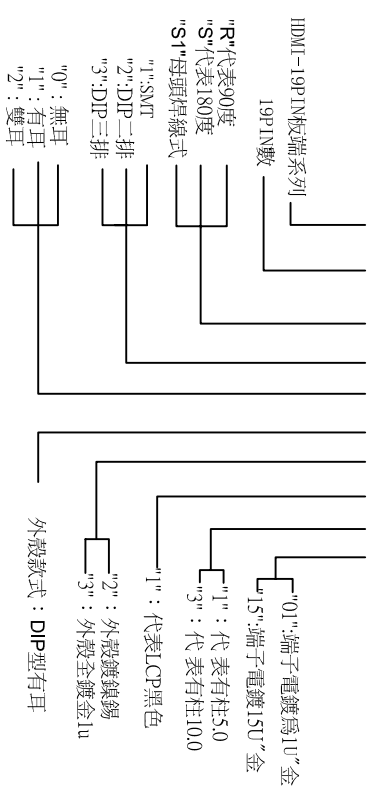
PLATING NICKEL 80u" MIN ALL OVER.

2. DIMENSIONS SHALL BE INTERPRETED PER

MOL-STD-105E II

3. PRODUCT CODE:

HF 19 R 1 0 -01 2 1 1 1 5



未標示公差尺寸值		DRAWN BY		聶玉忠	
METRIC		DESIGNED BY			
.0±0.35		APPROVAL BY			
.00±0.25		DRAW NO		COSJ-130	
.000±0.15		UNIT		mm	
TITLE: HDMI板端無耳 (膠柱5.0)		SCALE		1:1	
PRODUCT NO: HF19R10-0121115		REV		A/0	
FILE NO: ZK-3-D-001					