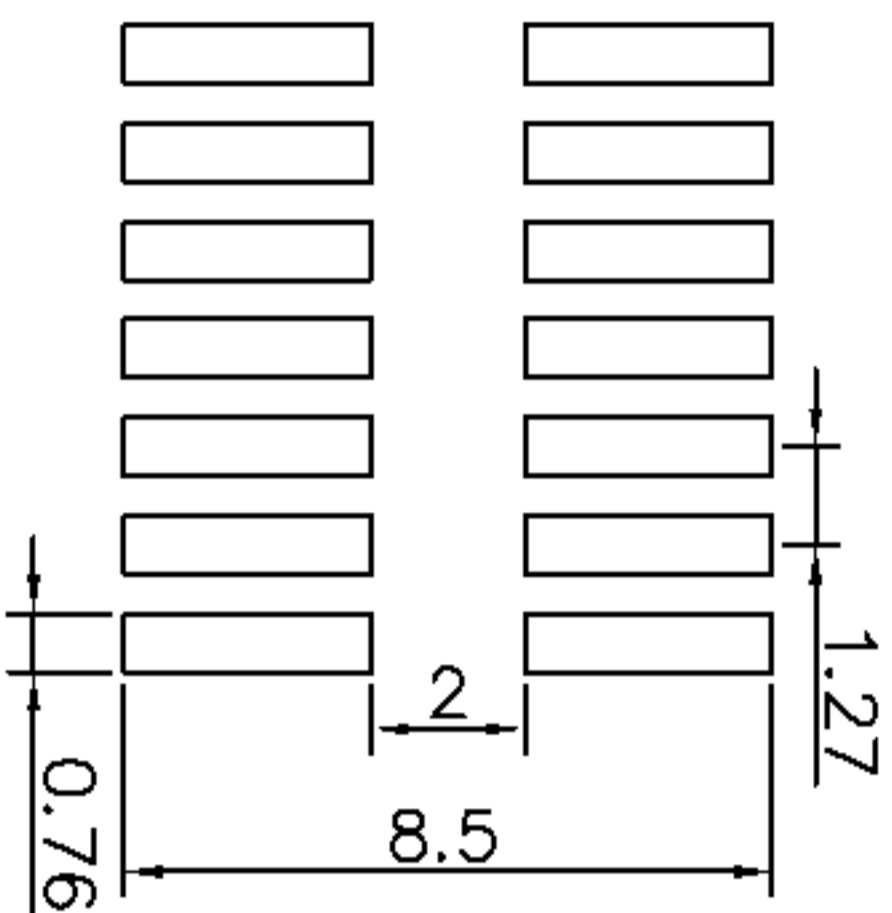
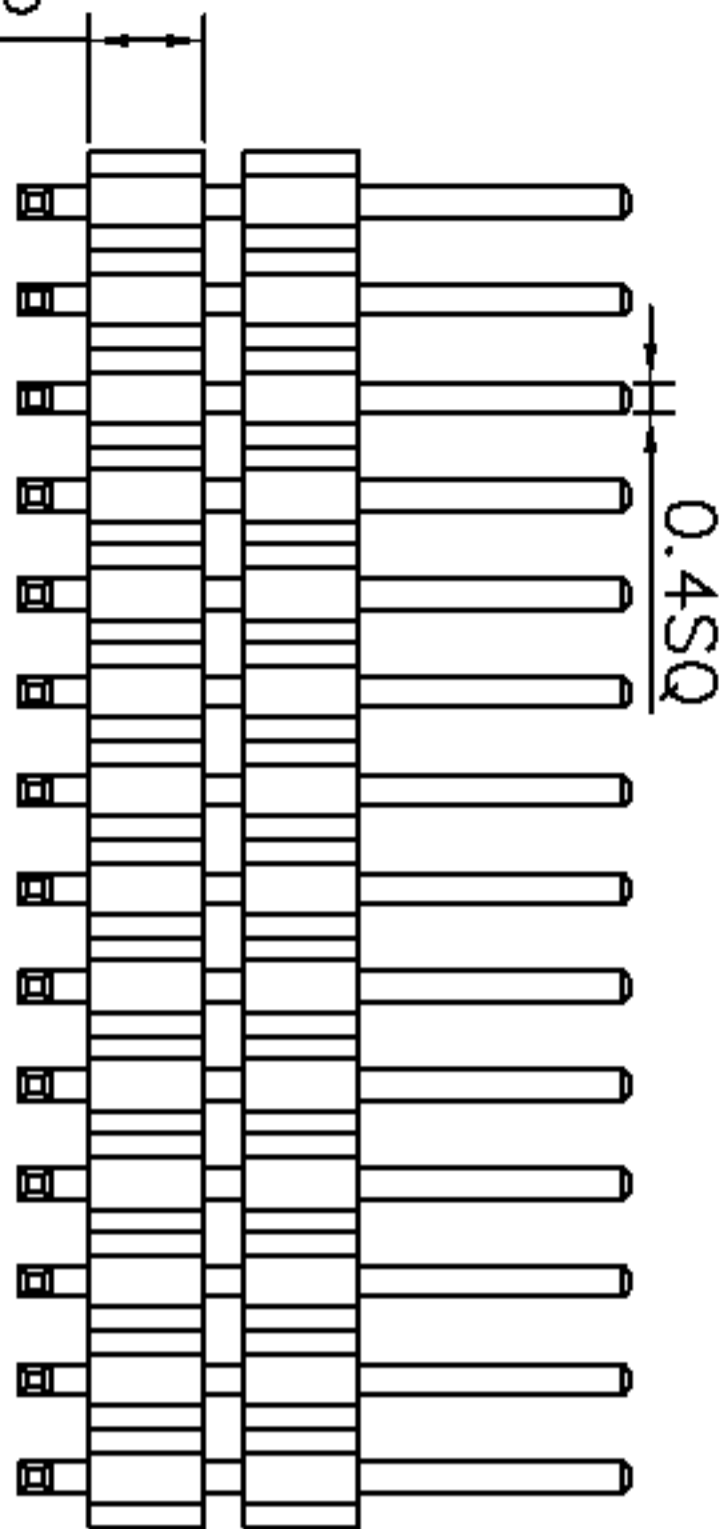
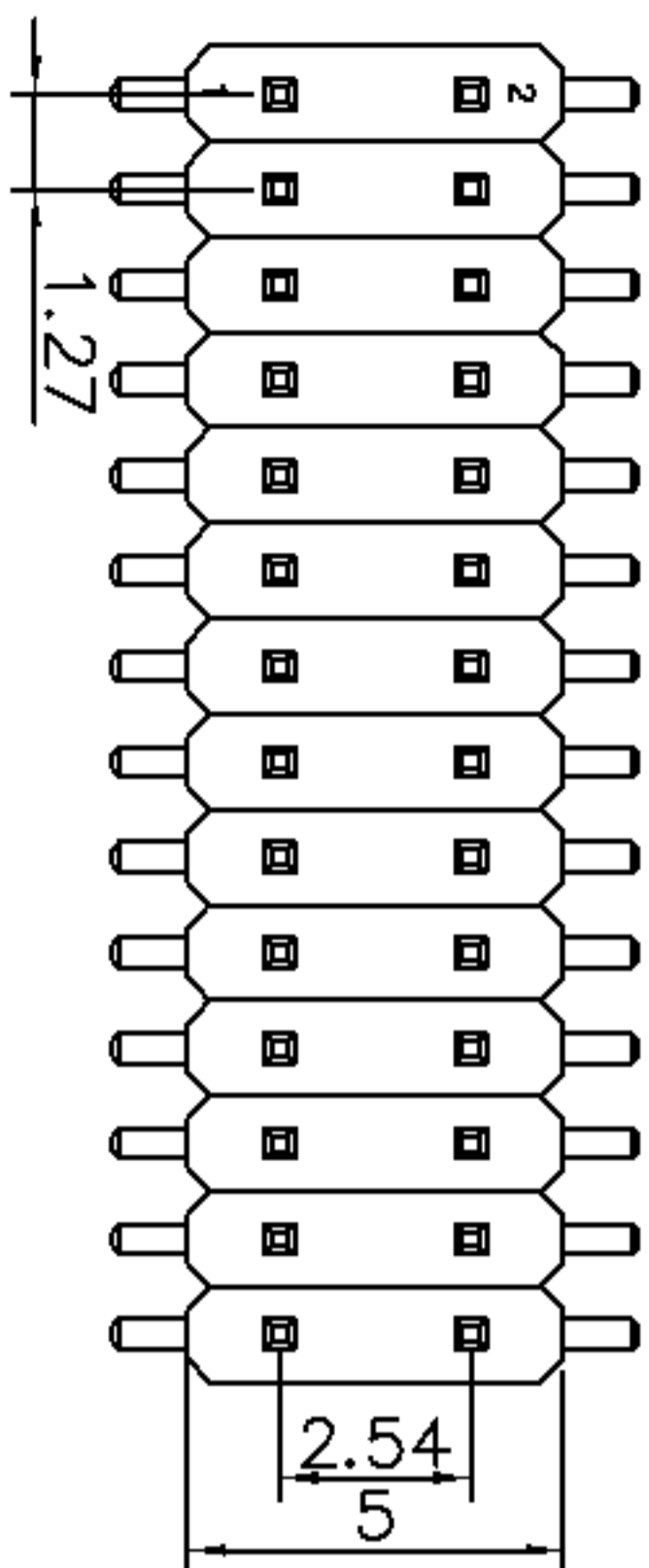
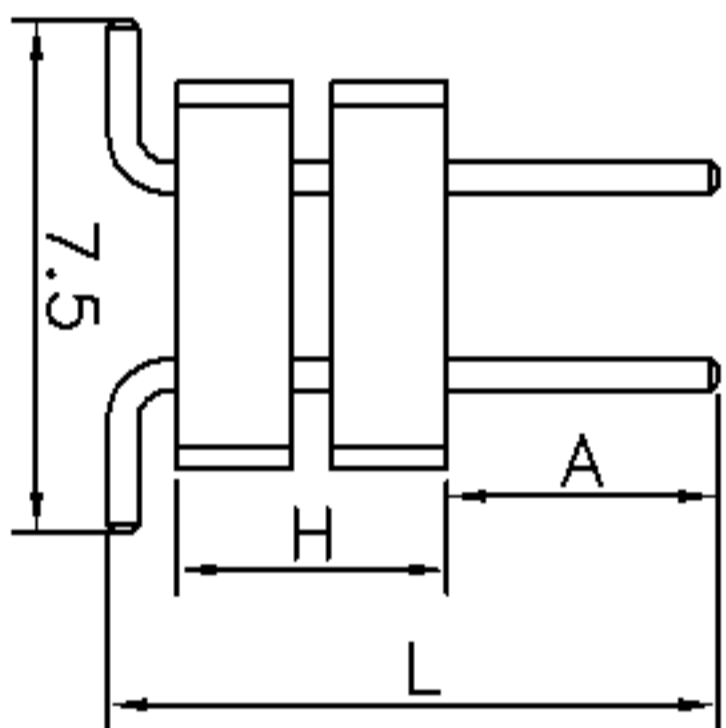


A	新版图	/	2011.09.07
			LZW



PCB Layout



A、H、L的尺寸  
可依客户要求订做

1101-427M22XXA-H-L  
1.27PIN距双塑胶双排直式排针系列

总高  
塑高  
A: 两排针排距2.54  
B: 两排针排距1.27  
每排PIN数

Specification:

- Current Rating: 1 Ampere
- Insulation Resistance : 1000M ohms Min.
- Dielectric Withstanding : 300V AC
- Contact Resistance: 20m ohms Max.
- Operating temperature:-40° C to +105° C
- Material:
- Contact: Brass, Gold Flash or per Require
- Housing: Nylon6T UL 94V-0

TOLERANCE		DRAWN	DATE	武汉宇恒电子有限公司 WUHAN YUHENG ELECTRONIC CO., LTD
TOL	ANGLE	LZW	2011.09.07	
ON		CHECKED	DATE	TITLE:
XXX =	0.05			排针系列-1.27*2.54PIN距-双排 双塑胶-SMT贴片式
XX =	0.15	CLIENT APPROVED	DATE	RFQ NO
X -	0.20			CLIENT P/N
X. =	0.30			UNIT: mm
				SCALE: free
				FILE NO.: YH20120526A002