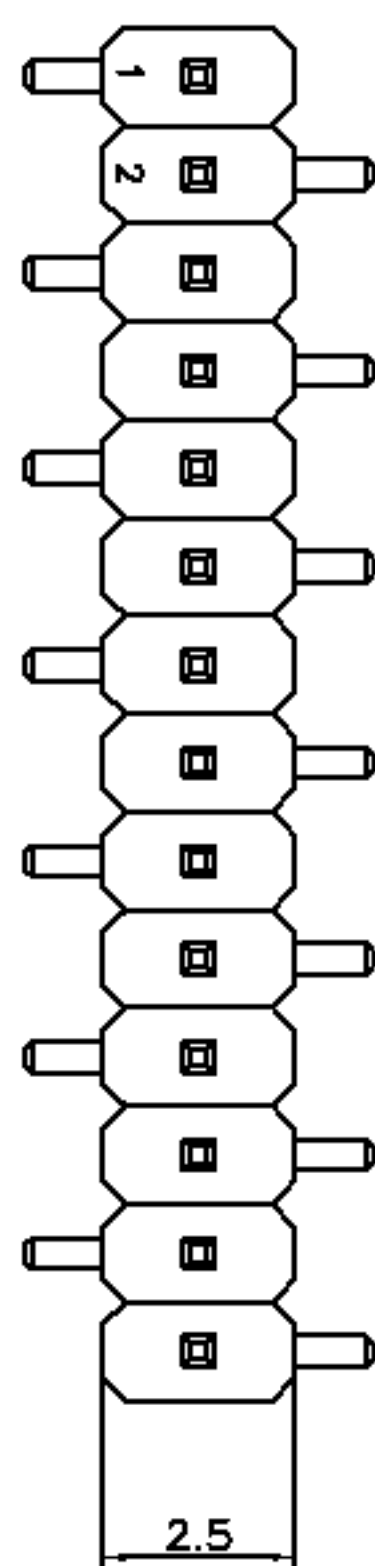
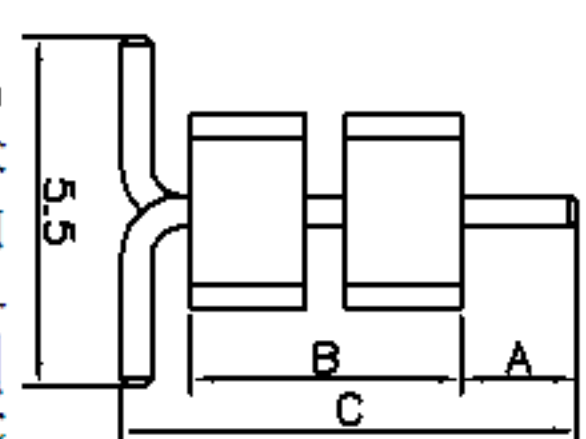
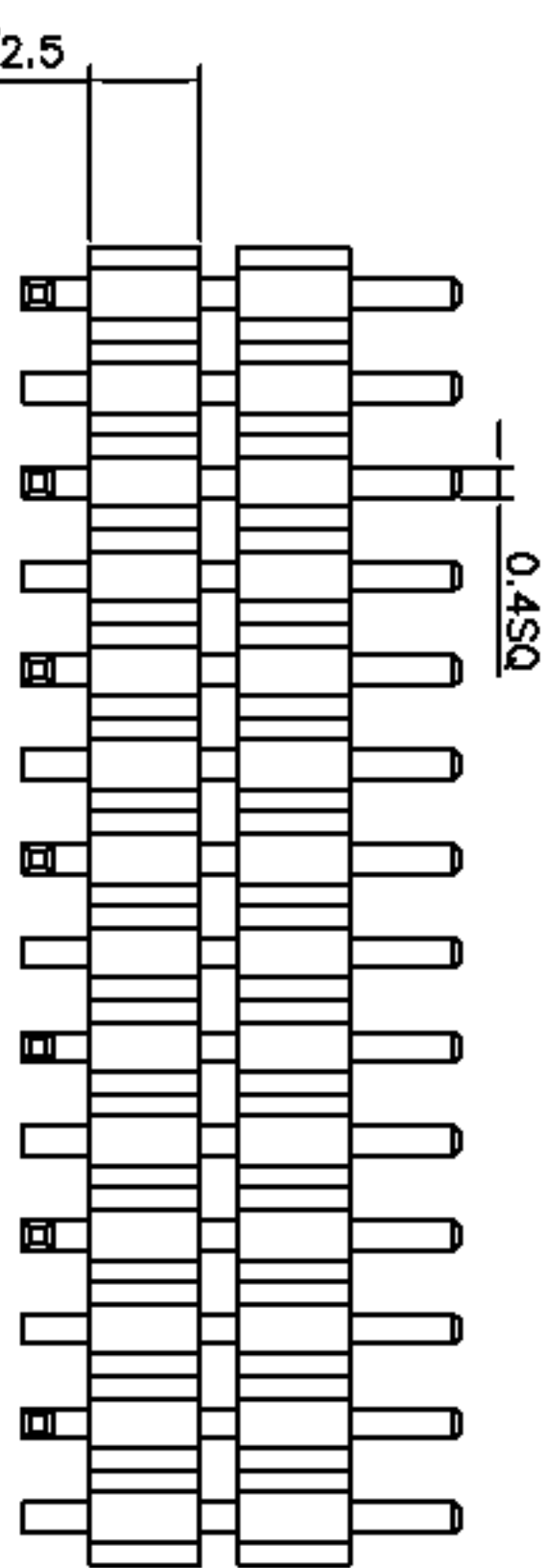
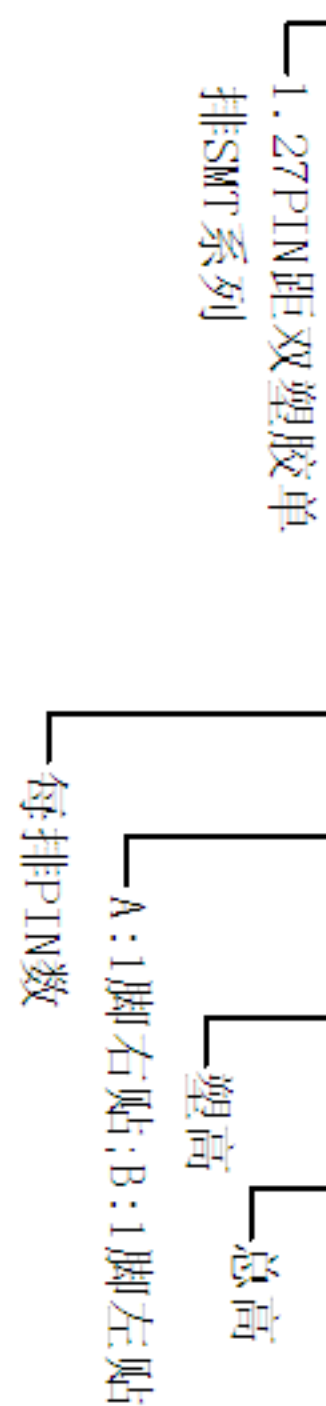


A	新版图	/	2011.09.07	LZW
---	-----	---	------------	-----

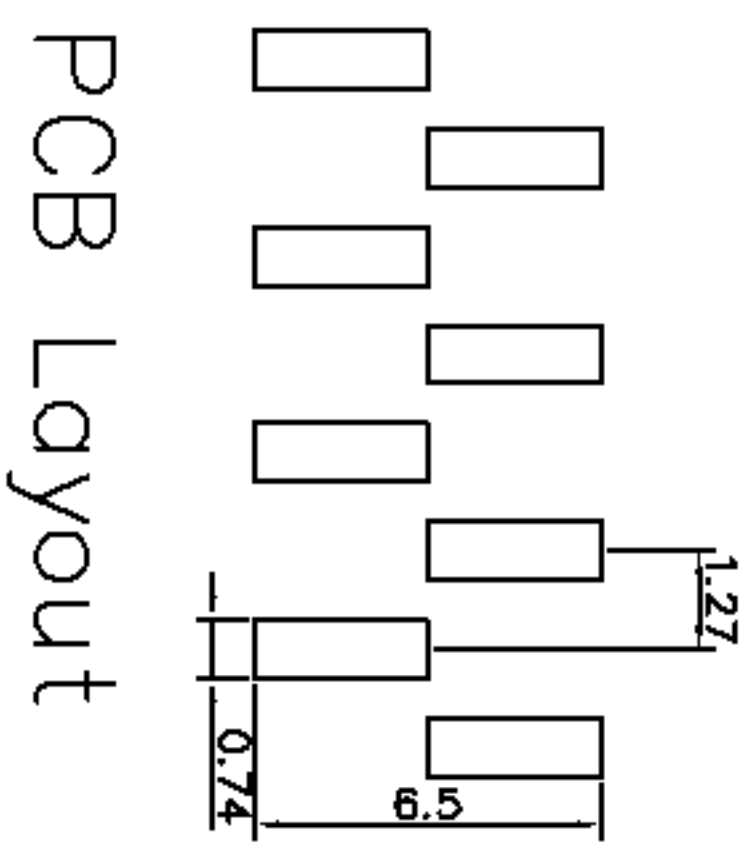


1101-427M21XX B-H-L



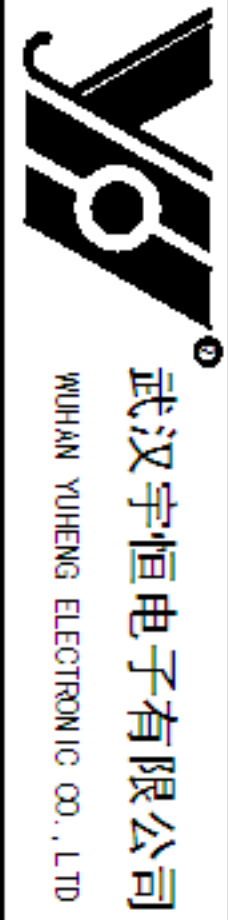
A、B、C的尺寸可依客户要求订做

Specification:
 Current Rating: 1 Ampere
 Insulation Resistance : 1000M ohms Min.
 Dielectric Withstanding : 300V AC
 Contact Resistance: 20m ohms Max.
 Operating temperature: -40° C to +105° C
 Material:
 Contact: Brass, Gold Flash or per Requirement
 Housing: Nylon6T UL 94V-0



PCB Layout

TOLERANCE		DRAWN		DATE	
TOL	ANGLE	LZW		2011.09.07	
ON		CHECKED			
XXX = 0.05		DATE			
XX = 0.15	1°	CLIENT APPROVED			
X = 0.20	2°	DATE			
X. = 0.30		RFQ NO			
		CLIENT P/N			
		UNIT : mm			
		SCALE: free			
		FILE NO. : YH20120528A008			



武汉宇恒电子有限公司
 WUHAN YUHENG ELECTRONIC CO., LTD
 排针系列-1.27PIN距-单排
 双塑胶-SMT型