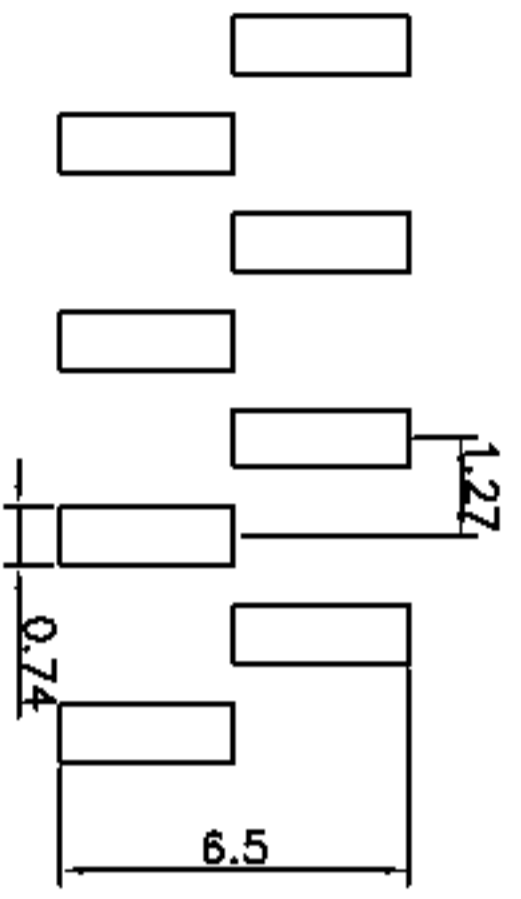
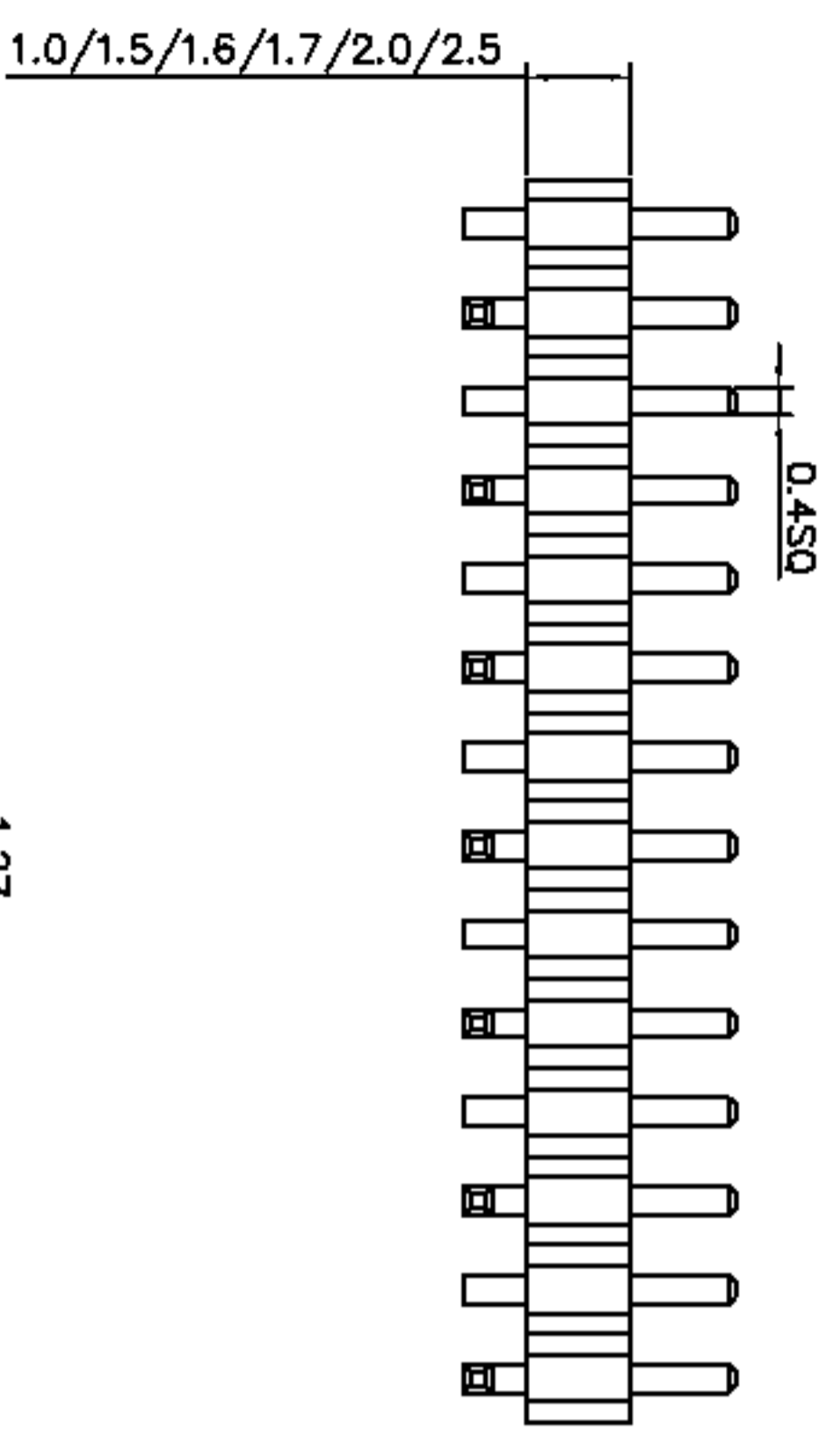
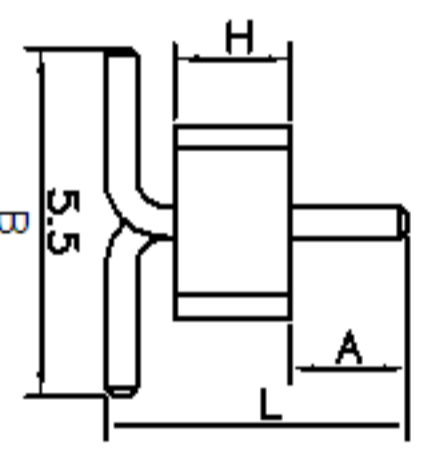
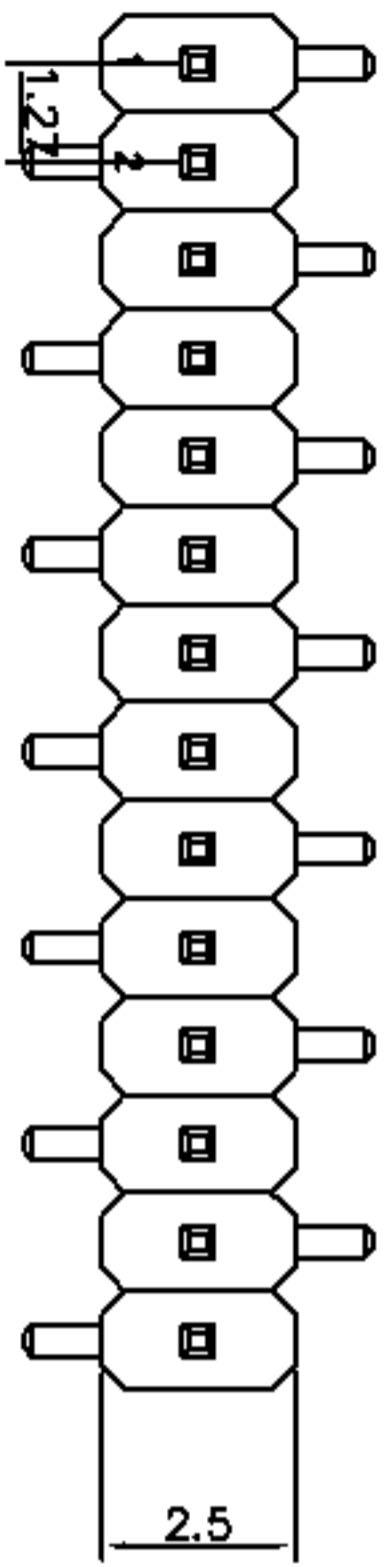


A		新版图	/	2011.09.07
				LZW



PCB Layout

A、B、H、L的尺寸  
可依客户要求订做

1101-427M11XXX A-H-L  
 1.27PIN距单塑胶单排SMT排针系列  
 A:表1脚右贴, B:表1脚左贴  
 每排PIN数  
 塑高  
 总高

Specification:  
 Current Rating: 1 Ampere  
 Insulation Resistance : 1000M ohms Min.  
 Dielectric Withstanding : 300V AC  
 Contact Resistance: 20m ohms Max.  
 Operating temprature: -40° C to +105° C  
 Material:  
 Contact: Brass, Gold Flash or per Require  
 Housing: Nylon6T UL 94V-0

TOLERANCE		DRAWN	DATE	武汉宇恒电子有限公司 WUHAN YUHENG ELECTRONIC CO., LTD
TOL	ANGLE	LZW	2011.09.07	
ON		CHECKED	DATE	TITLE:
.XXX =	0.05			排针系列-1.27PIN距-单排 单塑胶-SMT型
.XX =	0.15	CLIENT APPROVED	DATE	REQ NO
X -	0.20			CLIENT P/N
X. =	0.30			UNIT : mm
				SCALE: free
				FILE NO. : YH20120528A005