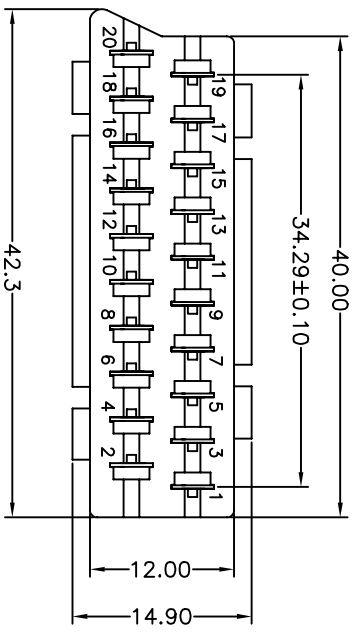
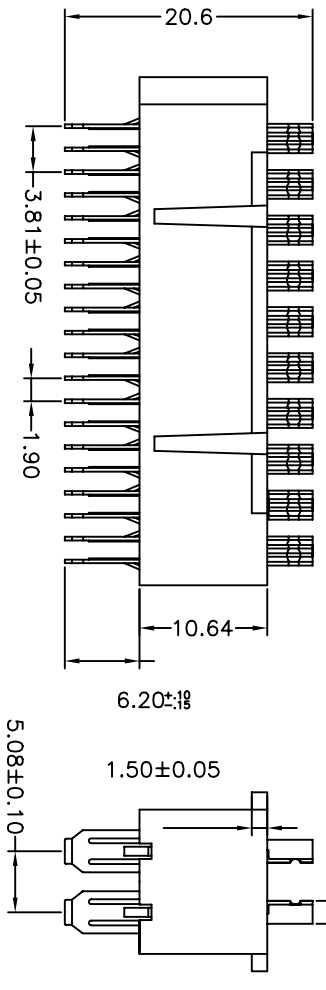
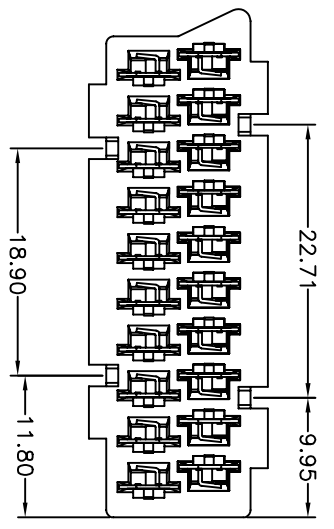


REV.	NOTES	DATE
A	RELEASED	2006/10/23



- NOTES:
1. MATERIALS
- 1.1 Insulator: P.C.
 - 1.2 Contact: Brass 0.3t. Tin Plated Or Gold Plated
2. SPECIFICATIONS
- 2.1 Current Rating: 3.0Amp
 - 2.2 Dielectric Strength: 1000V AC for one minute
 - 2.3 Insulator Resistan: 1000M ohms Min
 - 2.4 Contact Resistance: 30m ohms Max
 - 2.5 Operation Temperature: -55°C to +105°C

DIMENSIONS TOLERANCE		METRIC	
0 = ±.3		.00 = ±.20	
.000 = ±.XXX		.0000 = ±.5	
ANG. = ±.5°			
單位 (UNITS)	mm	數量 (QTY)	N/A
材料 (MATERIAL)	SEE NOTE	處理 (FINISH)	SEE NOTE
繪圖 (DRAW)		圖名 (NAME)	中心挂滿PIN錫PC 無毒友元專用
設計 (DE'N)		料號 (PART NUMBER)	ASC+0100-40C13
審核 (CHK)		圖號 (DRAW NUMBER)	RASC010040C13
核准 (APP' D)		圖檔 (FILE NAME .DWG)	E:GCT/A/SC/01
		比例 (SCALE)	1/1
		圖紙 (S/D)	A4
		頁次 (SHEET)	1
		版本 (REV.)	A