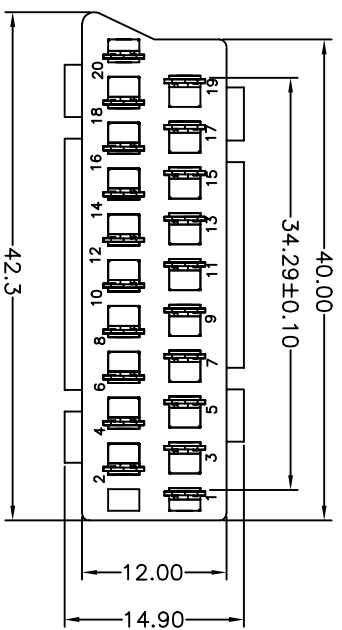
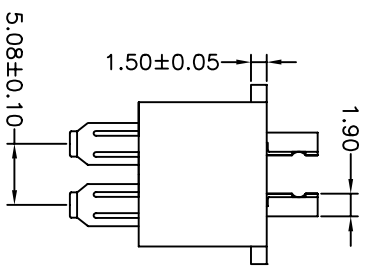
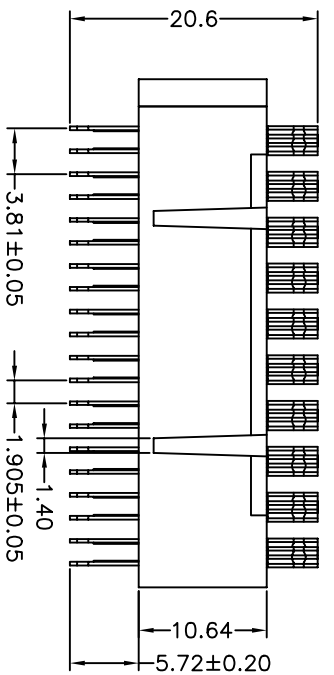
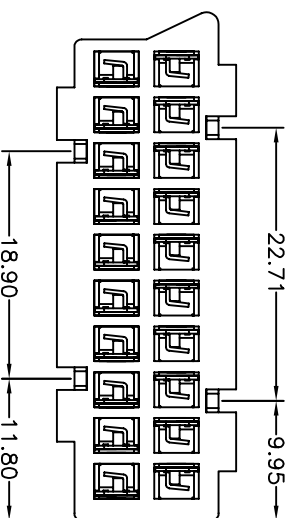


REV.	NOTES	DATE
A	RELEASED	2003/10/10



NOTES:

1. MATERIALS

- 1.1 Insulator: P.C. Or PBT
- 1.2 Contact: Brass 0.3t. Tin Plated Or Gold Plated

2. SPECIFICATIONS

- 2.1 Current Rating: 3.0Amp
- 2.2 Dielectric Strength: 1000V AC for one minute
- 2.3 Insulator Resistance: 1000M ohms Min
- 2.4 Contact Resistance: 30m ohms Max
- 2.5 Operation Temperature: -55°C to +105°C

Part No.	Plating.	Materials.	Colors
ASC+0100-40C2	TIN PLATED(NONTOXIC)	P.C.	BLACK
ASC+0100-40B2	TIN PLATED(NONTOXIC)	P.B.T.	BLACK

DIMENSIONS TOLERANCE		單位 (UNITS)		mm	
METRIC		數量 (QTY)		N/A	
0 = ±.3		材料 (M'T'L)		SEE NOTE	
.00 = ±.20		處理 (FINISH)		SEE NOTE	
.000 = ±.XXX		繪圖 (DRAW)			
.0000 = ±		設計 (DE'N)			
ANG. = ±.5°		審核 (CHK)			
		核准 (APP'D)			
圖名 (NAME)					
中心挂滿PIN鍍錫 (HH) PC					
料號 (PART NUMBER)		ASC+0100-40C2		比例 (SCALE)	
圖號 (DRAW NUMBER)		RASC010040C2		1/1	
圖檔 (FILE NAME .DWG)		E:GCT/A/SC/01		圖紙 (SIZ)	
				A4	
				頁次 (SHEET)	
				1	
				版次 (REV.)	
				A	