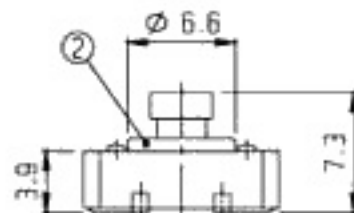
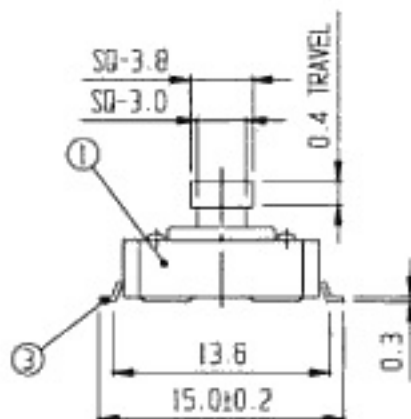


**SCHEMATIC**



**PCB LAYOUT**

RoHS  
Compliance



NO	PART	MATERIAL	QTY	REMARKS	NO	PART	MATERIAL	QTY	REMARKS
5	CONTACT	P B S	1	Ag PLATED					
3	TERMINAL	BRASS	4	Ag PLATED	4	COVER BOARD	SPCC	1	Ni PLATED
1	FRAME	NYLON 46	1		2	KNOB	NYLON 46	1	

ISSUED		SPECIFICATION			TITLE: TACT SWITCH					
	RATING: DC 12V 50mA				MODEL NO: TC-06122-00					
	CONTACT RESISTANCE: 100mΩ Max.									
	INSULATION RESISTANCE: 100MΩ at 500V DC				TOLERANCE		UNIT: MM		DWN.	
	WITHSTAND VOLTAGE: AC 250V for 1 minute.				UP TO 1.0: ±0.1		SCALE: 2.5:1		CHK'D.	
	OPERATION FORCE: REFER ATTACH SPECIFICATION				1.0 TO 10.0: ±0.2		VERSION: 01		APPD.	
SWITCHING LIFE: 100k Cycles Min.				OVER 10.0: ±0.3		DRWG NO:				