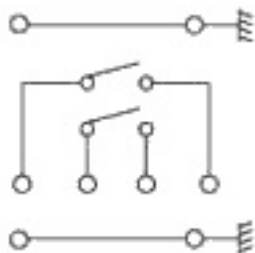
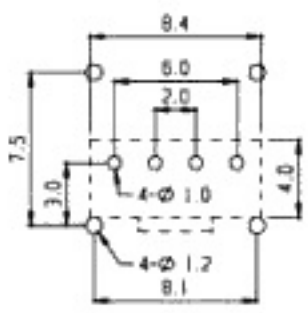
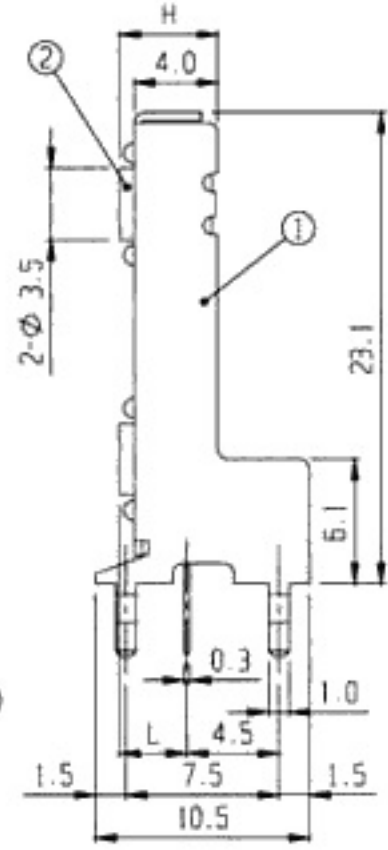
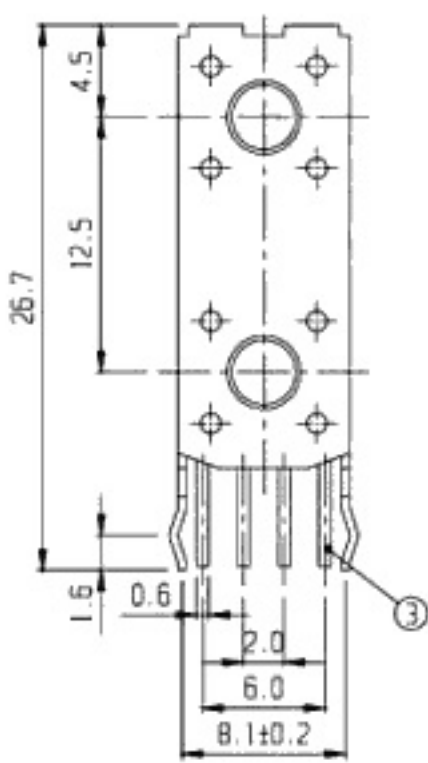


RoHS Compliance



SCHEMATIC



PCB LAYOUT

| MODEL NO.      | H     | Knob(L) |
|----------------|-------|---------|
| TC-00100-02    | 4.80  | 3.15    |
| TC-00100(A)-02 | 5.50  | 3.85    |
| TC-00100(B)-02 | 7.80  | 6.15    |
| TC-00100(C)-02 | 10.00 | 8.35    |
| TC-00100(D)-02 | 13.50 | 11.85   |
| TC-00100(E)-02 | 7.50  | 5.85    |
| TC-00100(F)-02 | 8.50  | 6.85    |
| TC-00100(G)-02 | 12.50 | 11.35   |
| TC-00100(H)-02 | 14.00 | 12.35   |

| NO | PART     | MATERIAL | QTY | REMARKS   | NO | PART  | MATERIAL | QTY | REMARKS |
|----|----------|----------|-----|-----------|----|-------|----------|-----|---------|
| 5  | CONTACT  | P B S    | 2   | Ag PLATED | 4  | FRAME | NYLON    | 1   |         |
| 3  | TERMINAL | BRASS    | 4   | Ag PLATED | 2  | KNOB  | NYLON    | 2   |         |
| 1  | SHELF    | S U S    | 1   |           |    |       |          |     |         |

ISSUED

SPECIFICATION

TITLE: TACT SWITCH (01A)



RATING: DC 12V 50mA  
 CONTACT RESISTANCE: 100mΩ Max.  
 INSULATION RESISTANCE: 100MΩ at 500V DC  
 WITHSTAND VOLTAGE: AC 250V for 1 minute.  
 OPERATION FORCE: REFER ATTACH SPECIFICATION  
 SWITCHING LIFE: 100k Cycles Min.

MODEL NO: TC-00100 ( )-02

| TOLERANCE        | UNIT: MM    | DWN.   |
|------------------|-------------|--------|
| UP TO 1.0:±0.1   | SCALE: 3:1  | CHK'D. |
| 1.0 TO 10.0:±0.2 | VERSION: 01 | APPD.  |
| OVER 10.0:±0.3   | DRWG NO:    |        |