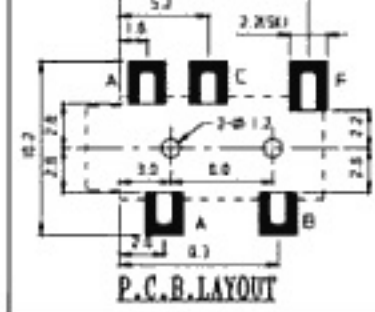
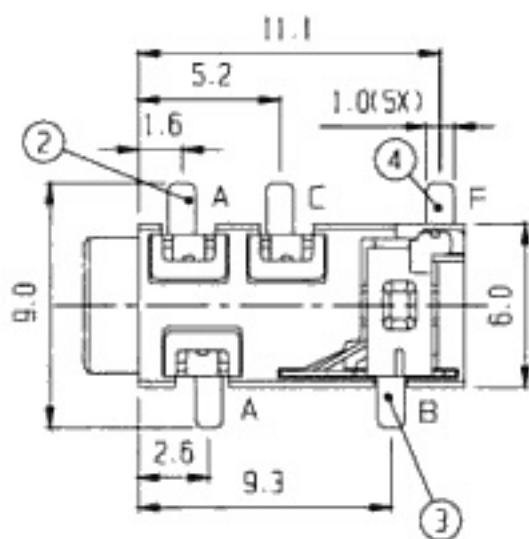
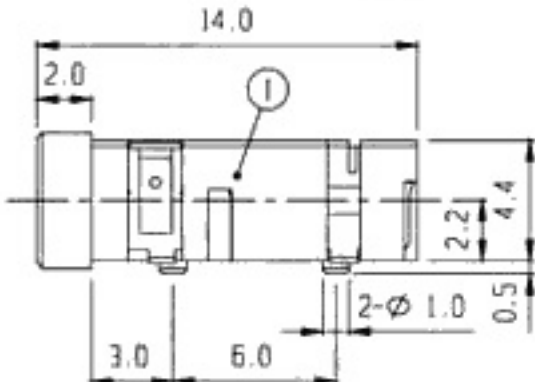
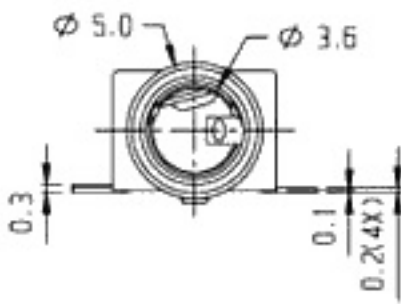


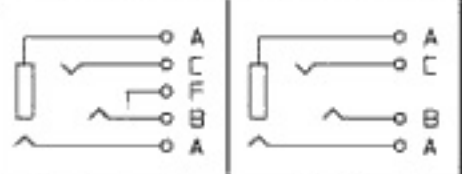
MATING PLUG



RoHS Compliance



STM-35085D STM-35084D



3	SPRING PLATE	P B S	1	Ag PLATED	4	TERMINAL	BRASS	1	Ag PLATED
1	FRAME	NYLON 46	1		2	SPRING PLATE	P B S	3	Ag PLATED
NO.	PART	MATERIAL	QTY	REMARKS	NO.	PART	MATERIAL	QTY	REMARKS

ISSUED SPECIFICATION TITLE: 3.5mm SMD STERED JACK

	RATING:	DC 30V 0.3A	MODEL NO:	STM-35085D		
	CONTACT RESISTANCE:	50mΩ max.	TOLERANCE	UNIT: MM	DWN.	<i>hw</i>
	INSULATION RESISTANCE:	100MΩ AT 500V DC	UP TO 1.0:±0.1	SCALE: 4:1	CHK'D.	<i>hw</i>
	WITHSTAND VOLTAGE:	AC 500V for 1 minute	1.0 TO 10.0:±0.2	VERSION: 2	APPD.	<i>hw</i>
	OPERATION FORCE:	REFER ATTACH SPECIFICATION	OVER 10.0:±0.3	DRWG NO:		
	SWITCHING LIFE:	5K cycles min.				