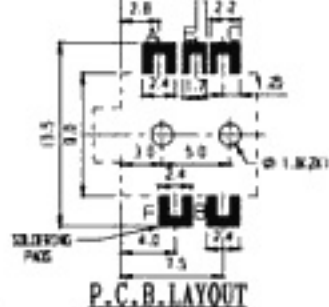
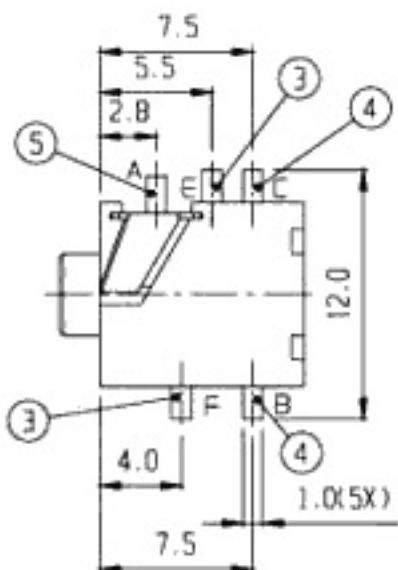


MATING PLUG

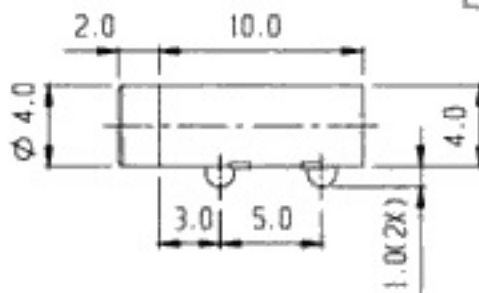
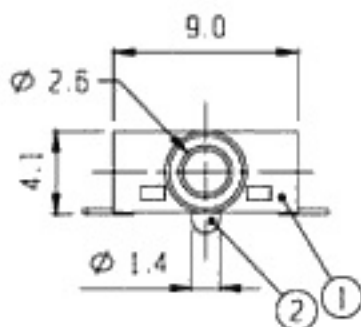


P.C.B. LAYOUT



SCHEMATIC

RoHS Compliance



| 5 | TERMINAL | P B S | 1 | Ag PLATED | | | | | |
|-----|----------|----------|-----|-----------|-----|-------------|----------|-----|-----------|
| 3 | TERMINAL | BRASS | 2 | Ag PLATED | 4 | CONTACT | P B S | 2 | Au PLATED |
| 1 | FRAME | NYLON 46 | 1 | | 2 | COVER BOARD | NYLON | 1 | |
| NO. | PART | MATERIAL | QTY | REMARKS | NO. | PART | MATERIAL | QTY | REMARKS |

ISSUED

SPECIFICATION

TITLE: 2.5mm SMD STERED JACK



RATING: DC 30V 0.3A
 CONTACT RESISTANCE: 50mΩ max.
 INSULATION RESISTANCE: 100MΩ AT 500V DC
 WITHSTAND VOLTAGE: AC 500V for 1 minute
 OPERATION FORCE: REFER ATTACH SPECIFICATION
 SWITCHING LIFE: 5,000 cycles min.

MODEL NO: STM-25095A
 TOLERANCE: UP TO 1.0:±0.1
 1.0 TO 10.0:±0.2
 OVER 10.0:±0.3
 UNIT: MM
 SCALE: 3:1
 VERSION: 01
 DRWG NO:

DWN. *h*
 CHK'D. *m*
 APPD. *[Signature]*