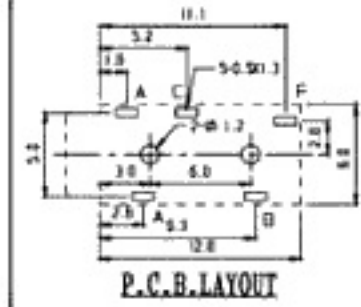
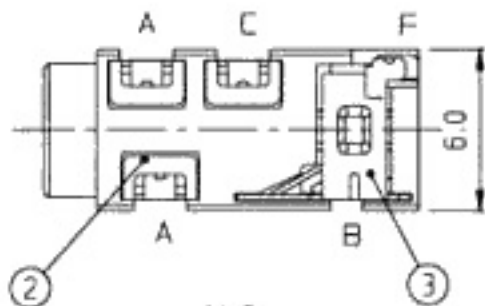
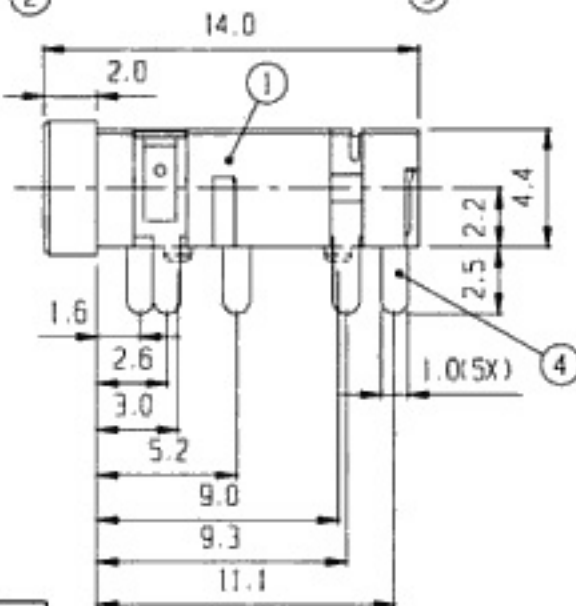
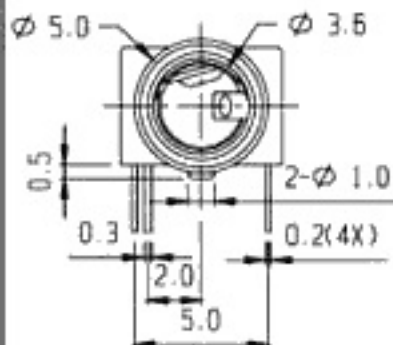


MATING PLUG



P.C.B. LAYOUT



RoHS Compliance

ST-3585D	ST-3585E

3	SPRING PLATE	P B S	1	Ag PLATED	4	TERMINAL	BRASS	1	Ag PLATED
1	FRAME	NYLON 46	1		2	SPRING PLATE	P B S	3	Ag PLATED
NO.	PART	MATERIAL	QTY	REMARKS	NO.	PART	MATERIAL	QTY	REMARKS

ISSUED SPECIFICATION TITLE: 3.5mm STERED JACK

RATING: DC 30V 0.3A				MODEL NO: ST-3585D					
CONTACT RESISTANCE: 50mΩ max.				TOLERANCE		UNIT: MM		DWN. <i>hms</i>	
INSULATION RESISTANCE: 100MΩ AT 500V DC				UP TO 1.0:±0.1		SCALE: 4:1		CHK'D. <i>hms</i>	
WITHSTAND VOLTAGE: AC 500V for 1 minute				1.0 TO 10.0:±0.2		VERSION: 2		APPD. <i>[Signature]</i>	
OPERATION FORCE: REFER ATTACH SPECIFICATION				OVER 10.0:±0.3		DRWG NO:			
SWITCHING LIFE: 5K cycles min.									