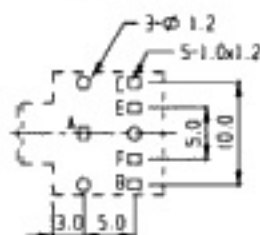
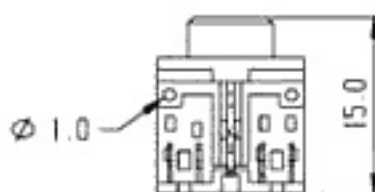
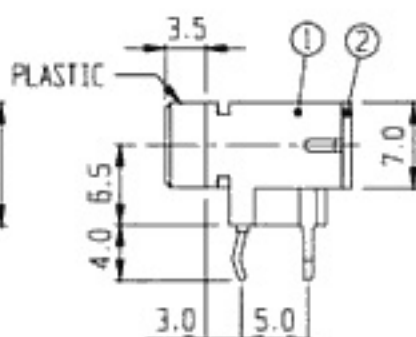
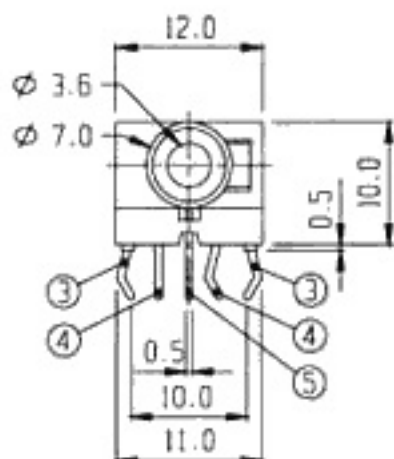


SCHEMATIC



PCB LAYOUT



RoHS
Compliance

| 5 | TERMINAL | BRASS | 1 | Ag PLATED | | | | | |
|-----|----------|----------|-----|-----------|-----|----------|----------|-----|-----------|
| 3 | CONTACT | PBS-SH | 2 | Ag PLATED | 4 | TERMINAL | BRASS | 2 | Ag PLATED |
| 1 | FRAME | P B T | 1 | | 2 | FRAME | P B T | 1 | |
| NO. | PART | MATERIAL | QTY | REMARKS | NO. | PART | MATERIAL | QTY | REMARKS |

ISSUED

SPECIFICATION

TITLE: 3.5mm STEREO JACK

RATING: DC 30V 0.3A

CONTACT RESISTANCE: 50mΩ max.

INSULATION RESISTANCE: 100MΩ AT 500V DC

WITHSTAND VOLTAGE: AC 500V for 1 minute

OPERATION FORCE: REFER ATTACH SPECIFICATION

SWITCHING LIFE: 5M cycles (15-18 cycles/min unloading)

MODEL NO: ST-3556-02

TOLERANCE

UNIT: MM

DWN.

UP TO 1.0:±0.1

SCALE: 1.5:1

CHK'D.

1.0 TO 10.0:±0.2

VERSION: 1

OVER 10.0:±0.3

DRWG NO:

APPD.

