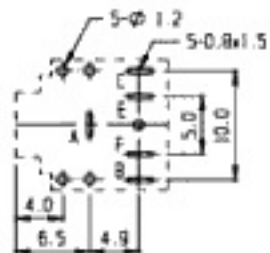
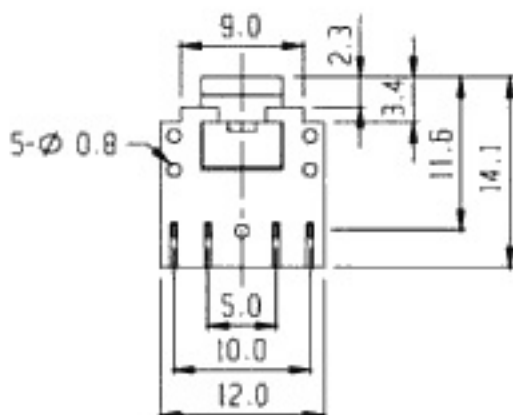
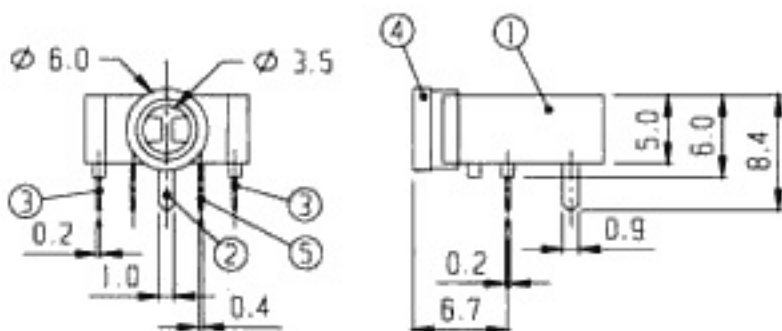


SCHEMATIC



PCB LAYOUT



RoHS
Compliance

5	TERMINAL	BRASS	2	Ag PLATED					
3	CONTACT	S U S	2	Ag PLATED	4	SHEATH	BRASS	1	Ni PLATED
1	FRAME	P O M	1		2	TERMINAL	P B S	1	Ag PLATED
NO.	PART	MATERIAL	QTY	REMARKS	NO.	PART	MATERIAL	QTY	REMARKS

ISSUED

SPECIFICATION

TITLE: 3.5mm STEREO JACK (1.1)



RATING:	DC 30V 0.3A
CONTACT RESISTANCE:	50mΩ max.
INSULATION RESISTANCE:	100MΩ AT 500V DC
WITHSTAND VOLTAGE:	AC 500V for 1 minute
OPERATION FORCE:	REFER ATTACH SPECIFICATION
SWITCHING LIFE:	5M cycles(15-18 cycles/min unloading)

MODEL NO:	ST-3507		
TOLERANCE	UNIT: MM	DWN.	<i>hoo</i>
UP TO 1.0:±0.1	SCALE: 2:1	CHK'D.	<i>mu</i>
1.0 TO 10.0:±0.2	VERSION: 2	APPD.	<i>[Signature]</i>
OVER 10.0:±0.3	DRWG NO:		