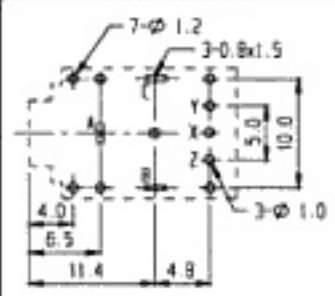
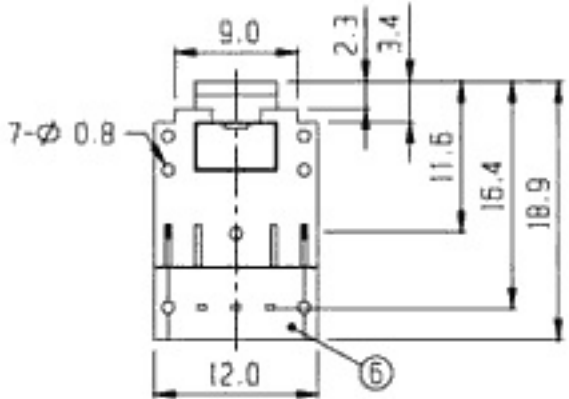
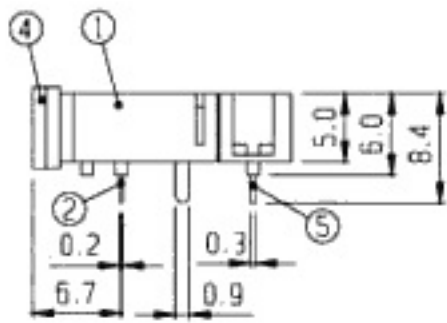
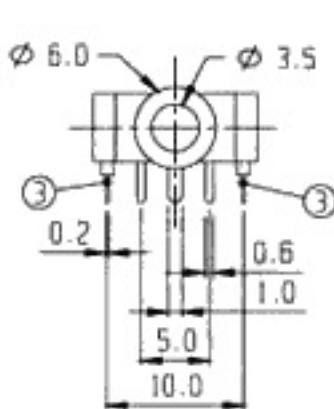


SCHMATIC



PCB LAYOUT



RoHS Compliance

NO.	PART	MATERIAL	QTY	REMARKS	NO.	PART	MATERIAL	QTY	REMARKS
5	TERMINAL	BRASS	3	Ag PLATED	6	TERMINAL BASE	PHENOL RESIN	1	NATURAL
3	CONTACT	S U S	2	Ag PLATED	4	SHEATH	BRASS	1	Ni PLATED
1	FRAME	P O M	1		2	TERMINAL	P B S	1	Ag PLATED

ISSUED

SPECIFICATION

TITLE: 3.5mm STEREO JACK (1.1)



RATING: DC 30V 0.3A
 CONTACT RESISTANCE: 50mΩ max.
 INSULATION RESISTANCE: 100MΩ AT 500V DC
 WITHSTAND VOLTAGE: AC 500V for 1 minute
 OPERATION FORCE: REFER ATTACH SPECIFICATION
 SWITCHING LIFE: 5K cycles (15-18 cycles/min unloading)

MODEL NO: ST-35061
 TOLERANCE: UP TO 1.0:±0.1
 UNIT: MM
 SCALE: 2:1
 VERSION: 2
 DRWG NO: APPD.

DWN. *hoo*
 CHK'D. *mn*
 APPD. *[Signature]*