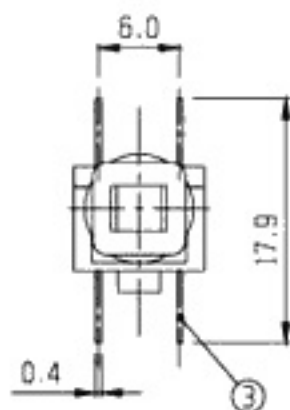
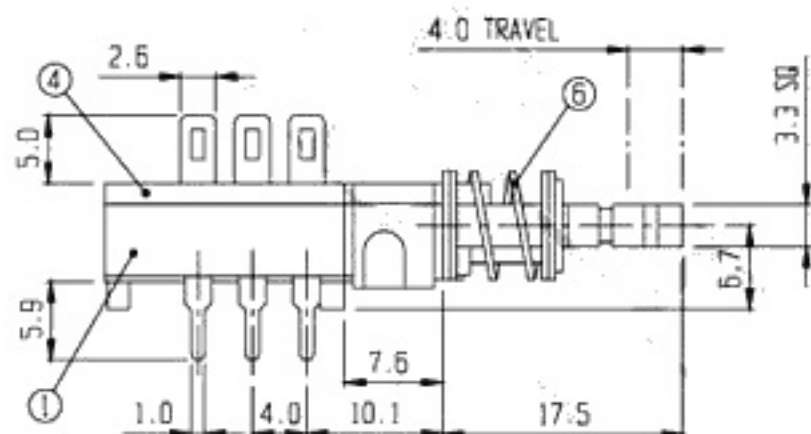


RoHS Compliance



5	CONTACT	BRASS	2	Ag PLATED	6	SPRING	STKEL WIRE	3	
3	TERMINAL	BRASS	6	Ag PLATED	4	TERMINAL BASE	NYLON	1	
1	FRAME	P C	1		2	KNOB	P O M	1	
NO	PART	MATERIAL	QTY	REMARKS	NO	PART	MATERIAL	QTY	REMARKS

ISSUED

SPECIFICATION

TITLE: PUSH BUTTON SWITCH (2P2T)
(UNLOCK)



RATING: DC 30V 0.5A
 CONTACT RESISTANCE: 30mΩ max.
 INSULATION RESISTANCE: 100MΩ at 500V DC
 WITHSTAND VOLTAGE: AC 500V for 1 minute
 OPERATION FORCE: REFER ATTACH SPECIFICATION
 SWITCHING LIFE: 10K cycles min.

MODEL NO: PBS-22H01-F18

TOLERANCE	UNIT: MM	DWN.	
UP TO 1.0:±0.1	SCALE: 1.5:1	CHK'D.	
1.0 TO 10.0:±0.2	VERSION: 02	APPD.	
OVER 10.0:±0.3	DRWG NO:		