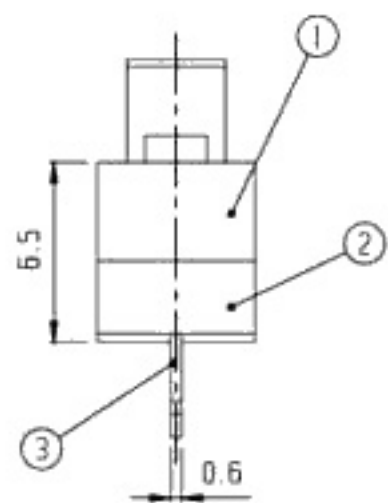
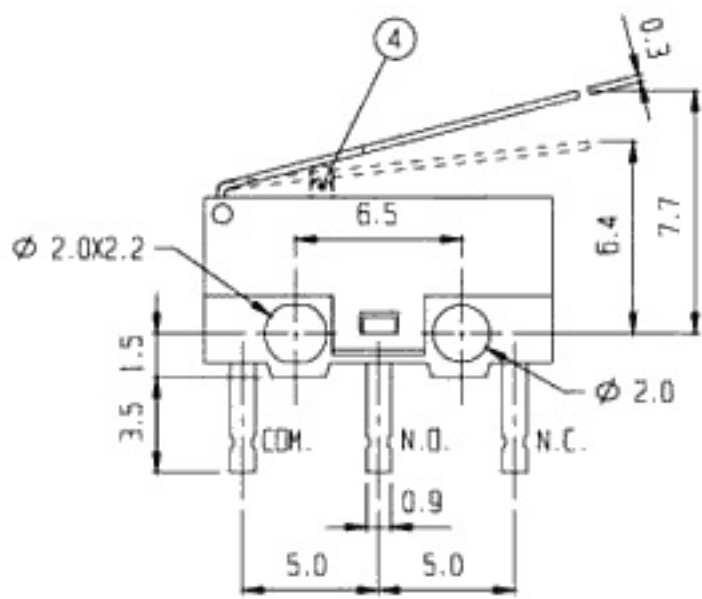


RoHS
Compliance



7	KNOB	S U S	1						
5	CONTACT POINT	Ag			6	CONTACT	P B S	1	
3	TERMINAL	BRASS	3	Ag PLATED	4	PUSH BOTTON	P O M	1	
1	COVER	NYLON	1	HW	2	FRAME	A B S	1	
NO.	PART	MATERIAL	QTY	REMARKS	NO.	PART	MATERIAL	QTY	REMARKS

ISSUED SPECIFICATION TITLE: MICRO SWITCH

RATING: AC 125V 1A
 CONTACT RESISTANCE: Not more than 30mΩ (initial)
 INSULATION RESISTANCE: 100MΩ AT 500V DC
 WITHSTAND VOLTAGE: AC 500V for 1 minute
 OPERATION FORCE: REFER ATTACH SPECIFICATION
 SWITCHING LIFE: 100K cycles min.

MODEL NO: MS-118
 TOLERANCE UNIT: MM
 UP TO 1.0:±0.1
 1.0 TO 10.0:±0.2
 OVER 10.0:±0.3
 SCALE: 4:1
 VERSION: 05
 DRWG NO:

DWN. *hms*
 CHK'D. *hms*
 APPD. *[Signature]*

