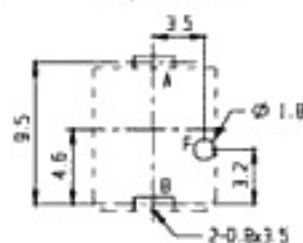
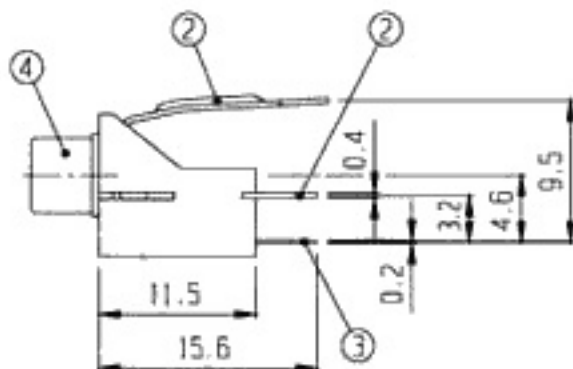
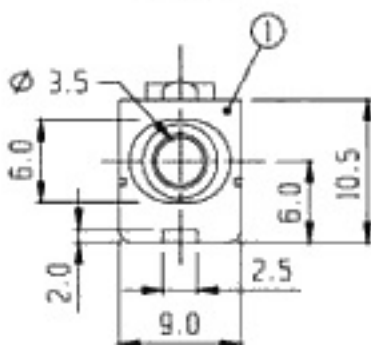


SCHEMATIC



PCB LAYOUT

RoHS Compliance



NO.	PART	MATERIAL	QTY	REMARKS
4	SHEATH	BRASS	1	Ni PLATED
3	SPRING PLATE	S U S	1	Ag PLATED
2	TERMINAL	BRASS	2	Ag PLATED
1	FRAME	A B S	1	

ISSUED SPECIFICATION TITLE: MONO TYPE EARPHONE JACK



RATING: DC 30V 0.3A		MODEL NO: EJ-3504R	
CONTACT RESISTANCE: 50mΩ max.			
INSULATION RESISTANCE: 100MΩ AT 500V DC	TOLERANCE	UNIT: MM	DWN. <i>hw</i>
WITHSTAND VOLTAGE: AC 500V for 1 minute	UP TO 1.0:±0.1	SCALE: 2:1	CHK'D. <i>hw</i>
OPERATION FORCE: REFER ATTACH SPECIFICATION	1.0 TO 10.0:±0.2	VERSION: 3	APPD. <i>hw</i>
SWITCHING LIFE: 5K cycles(15-18 cycles/min unloading)	OVER 10.0:±0.3	DRWG NO:	