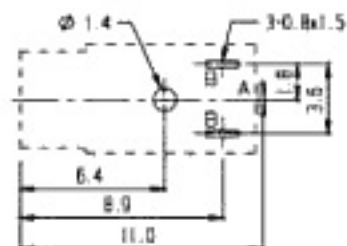
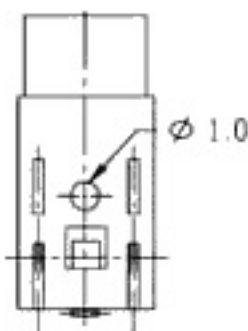
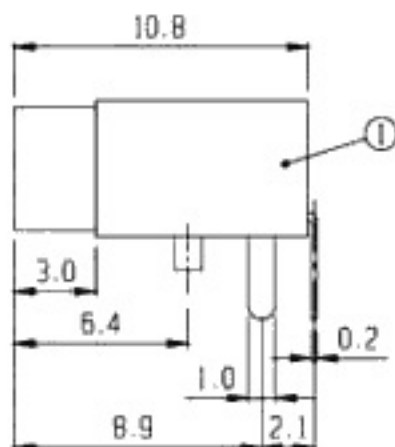
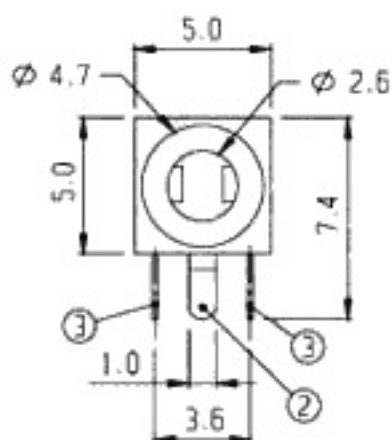


SCHMATIC



PCB LAYOUT



RoHS
Compliance

NO.	PART	MATERIAL	QTY	REMARKS
3	CONTACT	P B S	2	Ag PLATED
2	TERMINAL	P B S	1	Ag PLATED
1	FRAME	P O M	1	

ISSUED

SPECIFICATION

TITLE: MONO TYPE EARPHONE JACK

RATING: DC 30V 0.3A

CONTACT RESISTANCE: 50mΩ max.

MODEL NO: EJ-2509

INSULATION RESISTANCE: 100MΩ AT 500V DC

WITHSTAND VOLTAGE: AC 500V for 1 minute

OPERATION FORCE: REFER ATTACH SPECIFICATION

SWITCHING LIFE: 5M cycles (15-18 cycles/min unloading)

TOLERANCE

UP TO 1.0:±0.1

1.0 TO 10.0:±0.2

OVER 10.0:±0.3

UNIT: MM

SCALE: 4:1

VERSION: 2

DRWG NO:

DWN.

CHK'D.

APPD.

