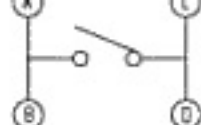
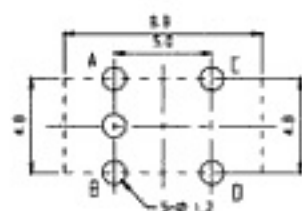


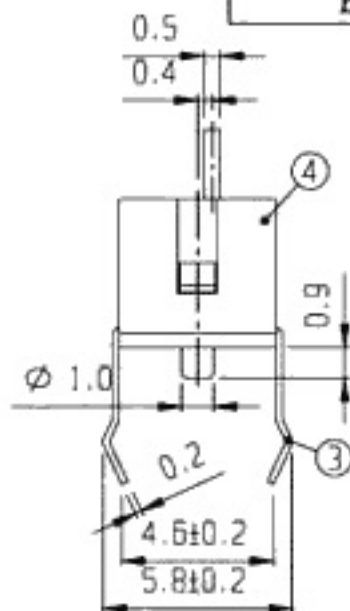
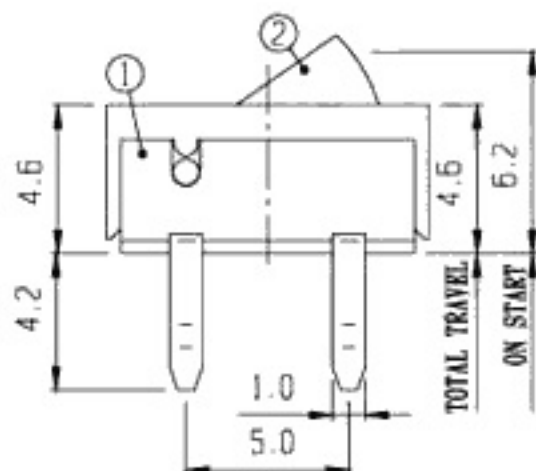
RoHS
Compliance



SCHEMATIC



P.C.B. LAYOUT



5	CONTACT	P B S	1	Ag PLATED					
3	TERMINAL	BRASS	4	Ag PLATED	4	COVER	NYLON	1	
1	FRAME	NYLON	1		2	KNOB	NYLON	1	
NO.	PART	MATERIAL	QTY	REMARKS	NO.	PART	MATERIAL	QTY	REMARKS

ISSUED

SPECIFICATION

TITLE: DETECTOR SWITCH

RATING: DC 30V 0.1A

CONTACT RESISTANCE: 100mΩ max.

INSULATION RESISTANCE: 100MΩ AT 250V DC

WITHSTAND VOLTAGE: AC 250V for 1 minute

OPERATION FORCE: REFER ATTACH SPECIFICATION

SWITCHING LIFE: 100K cycles min.

MODEL NO: DS-24

TOLERANCE UNIT: MM DWN.

UP TO 1.0:±0.1 SCALE: 5:1

1.0 TO 10.0:±0.2 VERSION: 1

OVER 10.0:±0.3 DRWG NO:

CHK'D.

APPD.

