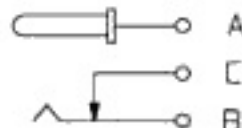


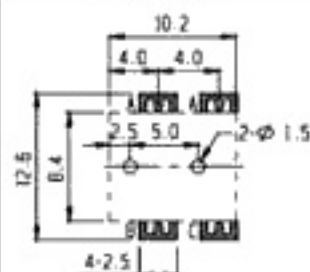
MATING PLUG



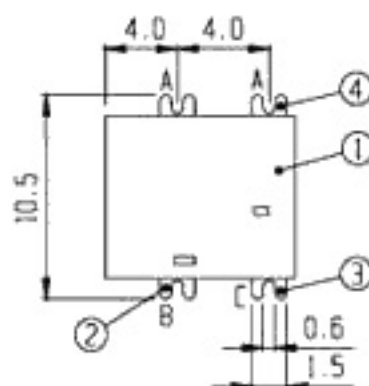
CENTER PIN DIAMETER  
 $\varnothing 1.6 \pm 0.05 \text{mm}$



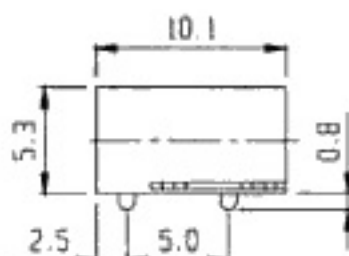
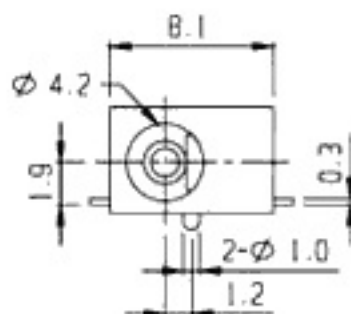
SCHEMATIC



PCB LAYOUT



RoHS  
 Compliance



5	CENTER PIN	BRASS	1	Ni PLATED					
3	CONTACT	BRASS	1	Ag PLATED	4	TERMINAL	BRASS	1 Ag PLATED	
1	FRAME	NYLON	1	BLACK	2	SPRING PLATE	CuBe	1 Ag PLATED	
NO.	PART	MATERIAL	QTY	REMARKS	NO.	PART	MATERIAL	QTY	REMARKS

ISSUED

SPECIFICATION

TITLE: DC POWER JACK SMD

RATING: DC 30V 0.3A

CONTACT RESISTANCE: 50mΩ max.

INSULATION RESISTANCE: 100MΩ AT 500V DC

WITHSTAND VOLTAGE: AC 500V for 1 minute

OPERATION FORCE: REFER ATTACH SPECIFICATION

SWITCHING LIFE: 5K cycles min

MODEL NO: DCM-928

TOLERANCE UNIT: MM

UP TO 1.0: ±0.1 SCALE: 3:1

1.0 TO 10.0: ±0.2 VERSION: 03

OVER 10.0: ±0.3 DRWG NO: 001

DWN.

CHK'D.

APPD.

