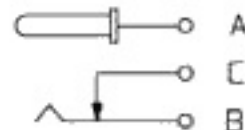
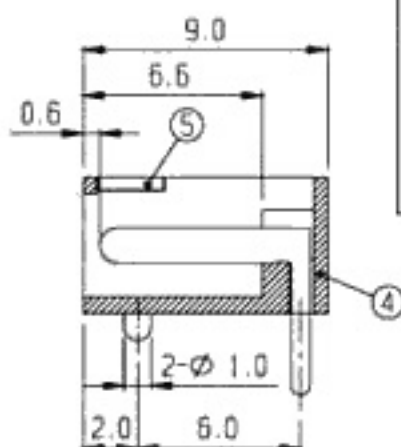
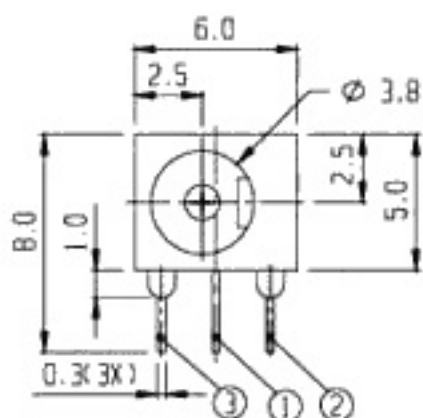
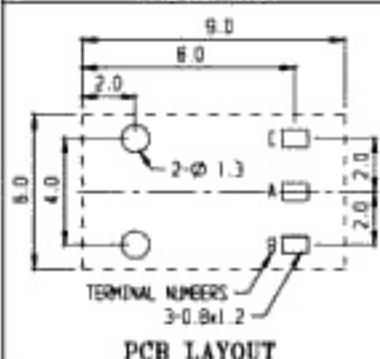


MATING PLUG

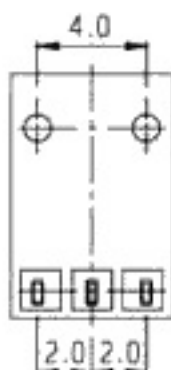
CENTER PIN DIAMETER  
 $\varnothing 1.0mm/\varnothing 1.3mm$



SCHEMATIC



PCB LAYOUT



RoHS  
 Compliance

5	COVER BORED	NYLON43L	1						
3	TERMINAL	BRASS	1	Ag PLATED	4	FRAME	NYLON43L	1	
1	TERMINAL	BRASS	1	Ag PLATED	2	TERMINAL	P B S	1	
NO.	PART	MATERIAL	QTY	REMARKS	NO.	PART	MATERIAL	QTY	REMARKS

ISSUED

SPECIFICATION

TITLE: DC POWER JACK

RATING: DC 30V 0.3A

CONTACT RESISTANCE: 50mΩ max.

INSULATION RESISTANCE: 100MΩ AT 500V DC

WITHSTAND VOLTAGE: AC 500V for 1 minute

OPERATION FORCE: REFER ATTACH SPECIFICATION

SWITCHING LIFE: 5M cycles(15-18 cycles/min unloading)

MODEL NO: DC-213

TOLERANCE UNIT: MM

UP TO 1.0:±0.1 SCALE: 4:1

1.0 TO 10.0:±0.2 VERSION: 2

OVER 10.0:±0.3 DRWG NO: 007

DWN.

CHK'D.

APPD.



*hoo*  
*mm*  
*[Signature]*