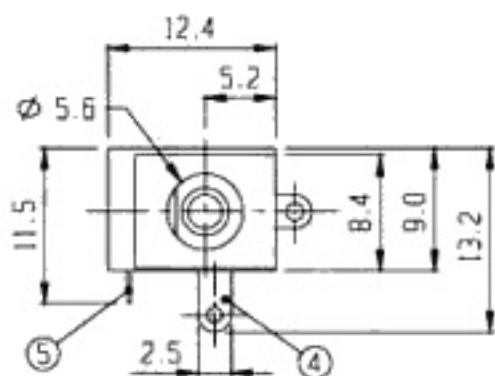
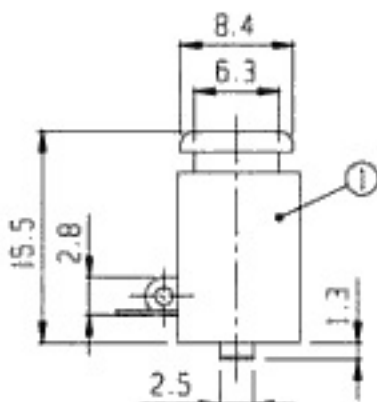
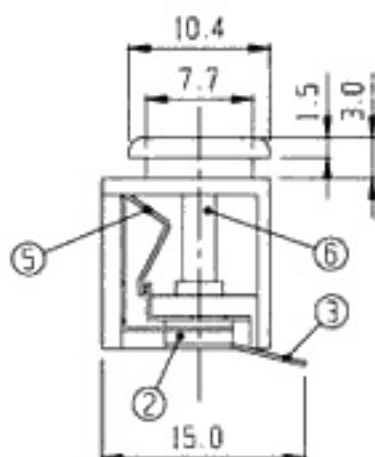


SCHEMATIC



RoHS
Compliance

CENTER PIN DIAMETER
 $\phi 2.0\text{MM}/\phi 2.5\text{MM}$



NO.	PART	MATERIAL	QTY	REMARKS
6	CENTER PIN	BRASS	1	Ni PLATED
5	MOVABLE TERMINAL	S U S	1	Ag PLATED
4	PIN TERMINAL	BRASS	1	Ag PLATED
3	FIXED TERMINAL	BRASS	1	Ag PLATED
2	TERMINAL BASE	PHENOL RESIN	1	
1	FRAME	A B S	1	

ISSUED	SPECIFICATION	TITLE: DC POWER JACK			
	RATING: DC 30V 0.3A	MODEL NO: DC-209 (12)			
	CONTACT RESISTANCE: 50mΩ max.				
	INSULATION RESISTANCE: 100MΩ AT 500V DC	TOLERANCE	UNIT: MM	DWN.	<i>hoo</i>
	WITHSTAND VOLTAGE: AC 500V for 1 minute	UP TO 1.0:±0.1	SCALE: 2:1	CHK'D.	<i>hoo</i>
	OPERATION FORCE: REFER ATTACH SPECIFICATION	1.0 TO 10.0:±0.2	VERSION: 1	APPD.	<i>[Signature]</i>
SWITCHING LIFE: 5K cycles (15-18 cycles/min unloading)	OVER 10.0:±0.3	DRWG NO:			