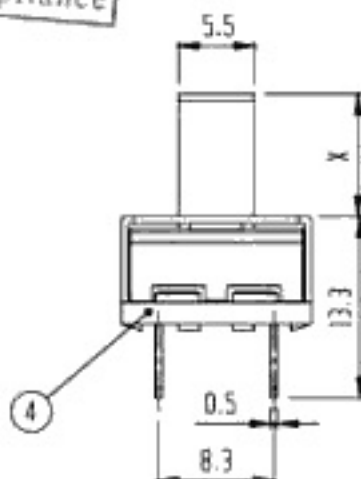
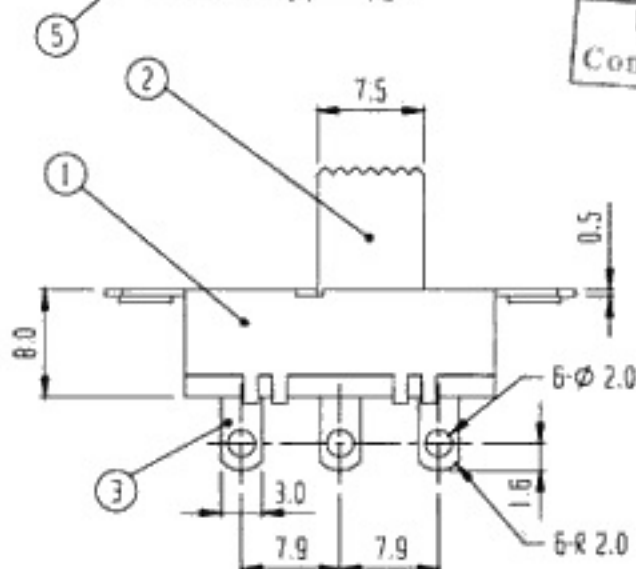


RoHS Compliance



5	SPRING PLATE	P B S	3		6	CONTACT	Cu	2	Ag PLATED
3	TERMINAL	Cu	6	Ag PLATED	4	TERMINAL BASE	PHENOL RESIN	1	NATURAL
1	FRAME	SPCC	1	Ni PLATED	2	KNOB	P B T	1	F 3-13
NO.	PART	MATERIAL	QTY	REMARKS	NO.	PART	MATERIAL	QTY	REMARKS

ISSUED

SPECIFICATION

TITLE: AC POWER SWITCH (2P2T)

RATING: 6.5A 250V AC/13A 125V AC

CONTACT RESISTANCE: 30mΩ max.

INSULATION RESISTANCE: 500MΩ AT 500V DC

WITHSTAND VOLTAGE: AC 1000V for 1 minute

OPERATION FORCE: REFER ATTACH SPECIFICATION

SWITCHING LIFE: 10K cycles min.

MODEL NO: ACS-22107-D-F()-SC



TOLERANCE	UNIT: MM	DWN.	<i>hoo</i>
UP TO 1.0:±0.1	SCALE: 2:1	CHK'D.	<i>m</i>
1.0 TO 10.0:±0.2	VERSION: 02	APPD.	<i>[Signature]</i>
OVER 10.0:±0.3	DRWG NO:		